

ActiveYards®

FENCING FOR YOUR LIFE™

CORIGIN® COLLECTION



PRODUCT CATALOG



Choosing the right fence for your home is an important decision — and one we take seriously. As the leading American manufacturer of low maintenance fencing, we know that there’s no reason to compromise on quality and style for function or price.

We’re strong believers that if you’re going to do something, do it right the first time. That’s why with ActiveYards, we’re with you every step of the way. Our expert sales representatives and Customer Care Team are here to help find the right fencing solution for you, your family and your home.

QUALITY YOU CAN TRUST

ABOUT US

All ActiveYards products are made by Barrette Outdoor Living®, a proud American manufacturer with 14 factories throughout North America. With nearly 50 years of industry experience, our products are meticulously engineered and designed for beauty, flexibility and ease of installation. Our vinyl fencing is made, and our aluminum fencing is finished and assembled, in America by American workers. We employ top-notch engineers and machinists, scientists, quality testing and research specialists along with our outstanding in-house customer service, sales and marketing teams all of whom are part of our American workforce.

OUR MATERIALS, PROCESSES, INNOVATION AND TESTING SET US APART

Our vinyl fencing is made using proprietary raw material blends. Because of this, we know exactly what goes into our manufacturing processes and can ensure consistent, high-quality product. Our aluminum fencing features a powder coating finish that leads the industry in thickness and performs at three times the industry standard in salt spray testing. We have a long history of product innovation and hold more than 70 patents. Our product design and ingenuities ensure both our vinyl and aluminum fencing stays on trend and performs above expectations. Our state-of-the-art quality assurance processes utilize extensive internal and third-party laboratory testing, well exceeding other manufacturers, to ensure all our fencing products perform flawlessly for years to come.

ENVIRONMENTAL STEWARDSHIP

Barrette Outdoor Living believes in building for the future and is strongly committed to being an environmental steward. Through the products we produce and the sustainability practices we follow, every day we work to reduce our carbon footprint and move towards being as “waste neutral” as possible.



SOLUTIONS FOR LIFE

Whatever problem you're trying to solve, we have a solution for you and a fence to match. We are committed to providing innovative technologies and smarter designs that set us apart from our competitors and offer real value and unmatched quality.

Whether it's for added privacy, increased protection for your home and family, a worry-free pool experience or just a face-lift for your yard, we've got you covered.



PRIVACY

Whether you desire to create your own backyard hideaway, need to block out unsightly views or provide a perimeter around your property, ActiveYards has a privacy solution to meet your needs.



PROTECTION

Fences can help to keep your property and family safe. With a wide variety of styles available, ActiveYards fencing gives you peace of mind without compromising style.



POOLS

Owning a pool comes with a responsibility to keep children, pets and guests safe. ActiveYards recommended pool fencing —available in a variety of styles — is designed to give you that peace of mind.



DECORATION

Fences can serve several purposes, but they can also be the finishing decorative accent around your home. ActiveYards decorative fencing adds charm and style while still offering an element of protection.



3 WAYS TO FENCE

ActiveYards has so much to offer and to choose from, we'd strongly recommend you take your time shopping, before you make your selection and arrange for installation. This will assure that you get the very best fence system for your home and your life.



SHOP +

ActiveYards offers three ways to shop — online, by visiting an ActiveYards showroom or through an at home consultation. Whichever way you choose to shop that best suits you and your schedule, you'll be able to find the perfect fencing solution.



SELECT +

So you've found a fence you love that offers the solution you've been looking for — now you need to consider cost. With three series to choose from — Haven, Home and Harbor — ActiveYards has a fence to meet every taste and budget.



INSTALL +

ActiveYards Fence Systems are easy to install and in most cases, the cost of the fence doesn't affect your installation cost. We offer three ways to install your fence so you can select the one that's right for you — and your budget.



OUR INGENUITIES. YOUR ADVANTAGES.



SOLARGUARD®

SolarGuard is a material composition that provides fade resistance* so that your outdoor living products will look good for years to come.

**Does not apply to white vinyl products*



CORIGIN®

Corigin is a hidden fastener system that locks fence and railing panels together from the inside out to provide a clean design.



SERIES OVERVIEW

HAVEN SERIES

COLORS AVAILABLE:



Black



1¹³/₁₆" x 1¹/₂" Decorative Rails

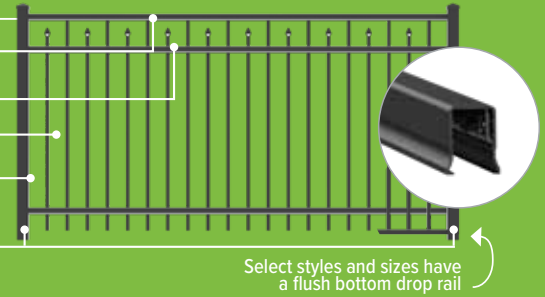
Corigin® Technology

3/4" x 3/4" Pickets

2¹/₂" x 2¹/₂" Posts

8' Wide Panels
Rackable up to 48"

Select styles and sizes have a flush bottom drop rail



HOME SERIES

COLORS AVAILABLE:



Black



1" x 1" Square Rails

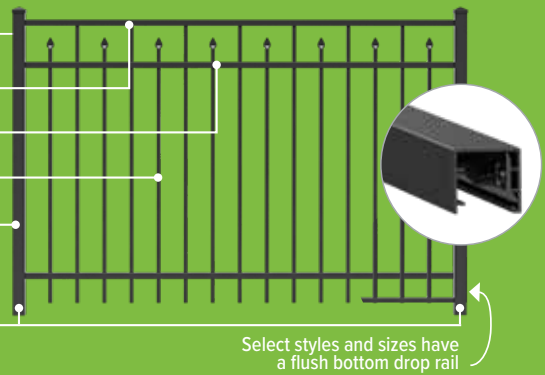
Corigin® Technology

3/4" x 3/4" Pickets

2" x 2" Posts

6' Wide Panels
Rackable up to 38"

Select styles and sizes have a flush bottom drop rail



HARBOR SERIES

COLORS AVAILABLE:



Black



Pewter



Matte Black



1" x 1" Square Rails

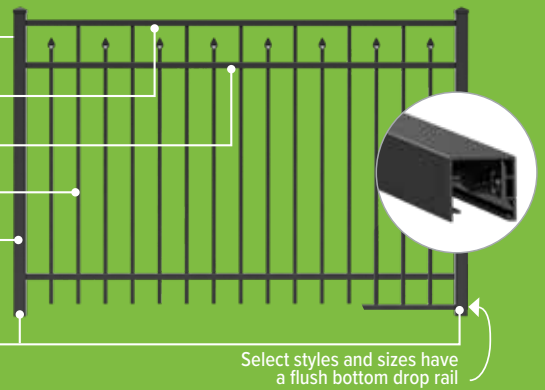
Corigin® Technology

5/8" x 5/8" Pickets

2" x 2" Posts

6' Wide Panels
Rackable up to 38"

Select styles and sizes have a flush bottom drop rail



FENCING OVERVIEW

Fence panels in the Corigin Collection by ActiveYards contains no visible fasteners. Engineered using a hidden fastener system, ActiveYards Corigin Collection Aluminum Fencing offers a clean design that can easily be adjusted to follow the natural slope of your yard.

With our most popular styles available in three aluminum grades through our Haven, Home and Harbor Series and three colors, ActiveYards Corigin Collection Aluminum Fencing also features a flush bottom drop rail in select styles and sizes. Matching gates are available for every style.

ActiveYards Aluminum Fencing features a state-of-the-art powder coating with SolarGuard to provide fade resistance and undergoes advanced weather testing to ensure long lasting beauty. All products are assembled in the USA and feature a Transferrable Limited Lifetime Warranty.

Note: Fence posts, panels, rails and pickets are NOT interchangeable between ActiveYards Corigin and Classic Collections.



POOL CODE APPROVED

Certain styles and heights of ActiveYards Aluminum Fencing are pool code approved at the national level (as indicated with icon throughout catalog). Please note that codes not only vary by state, but also by locality. Be sure to check your local pool code requirements before ordering. For more information about national pool code panel and gate specifications, see page 63.

COMMON POSTS

Many ActiveYards panels utilize identical post styles (same size and routing). All post descriptions contain a letter combination in parentheses to indicate their consistent application across panels. For example: 2" x 2" x 70" Line Post (B) indicates that a letter (B) post is used. Other fence styles that utilize the same posts will have the same (B) reference contained in their post descriptions.

QUICKSHIP



Many ActiveYards vinyl fence panels and associated products are available via QuickShip (10-day shipping). When a QuickShip icon is present on a product page in this catalog (or **QS** is shown by a page number in the Table of Contents) it indicates that the following items are available via QuickShip:

- Fence Panel
- Line, Corner, End and Gate Posts
- 4' and 5' Wide Gates

Products that are not indicated as QuickShip are available in 20 days (depending on current lead times).



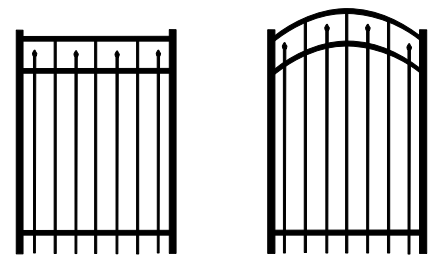
GATE OVERVIEW

ActiveYards offers walk and drive gates up to 16' wide to match our aluminum fencing (gate width may vary depending on style of fencing).

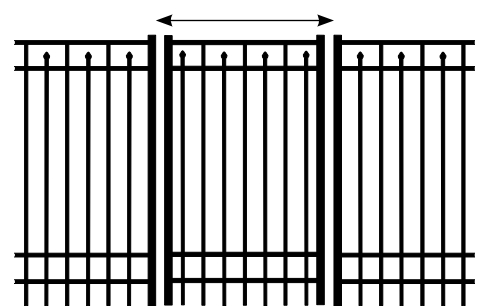
All ActiveYards gates come standard with self-closing hinges. Latches and other styles of hinges are available separately through ActiveYards® Hardware.

GATE MEASUREMENTS

Matching walk and drive gates (up to 6' high) are available for all styles of ActiveYards Aluminum Fencing. Walk and drive gates are available in straight and arched variations. Straight walk/drive gates are available in corresponding heights to be flush with the height of the fence line. Arched walk/drive gates are available in corresponding heights and will extend at center above the height of the fence line. Matching Double Drive Single Arched Gates and Double Drive Estate Arched Gates are also available for all fence styles.



Example: Actual Gate Opening: 36"
Actual Gate Size: 34½"





WALK GATES

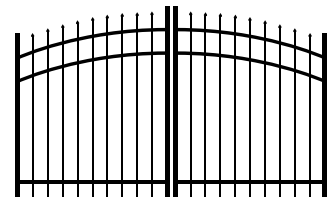
All ActiveYards gates feature an actual gate opening of the size listed on the product pages and an actual gate size of 1½" smaller.

DOUBLE DRIVE GATES

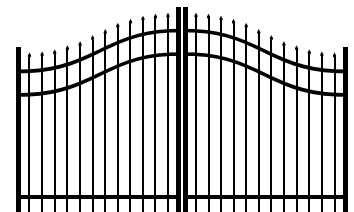
Double drive gates can be created by using single or estate arched gates (two gate leaves per SKU); or by using two straight walk or drive gates (one gate leaf per SKU).

HARDWARE

Alternative hinge options, latches and drop rods are available separately for purchase. See page 57-58 for more information.



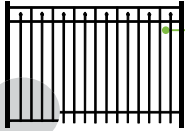
Single Arched Drive Gate



Estate Arched Drive Gate

TABLE OF CONTENTS

CORIGIN® COLLECTION



AMETHYST

HAVEN SERIES

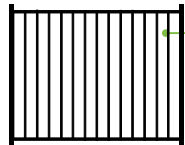
4x8 (Post G)	QS 11
4½x8 (Post H) Drop Rail	QS 12
5x8 (Post I)	QS 13

HOME SERIES

3½x6 (Post Y) Drop Rail	QS 14
4x6 (Post G)	QS 15
4½x6 (Post H) Drop Rail	QS 16
5x6 (Post I)	QS 17

HARBOR SERIES

4x6 (Post G)	QS 18
4½x6 (Post H) Drop Rail	QS 9
5x6 (Post I)	QS 20



BEDROCK

HAVEN SERIES

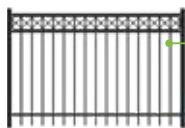
4x6 (Post E)	QS 21
--------------------	--------------

HOME SERIES

4x6 (Post E)	QS 22
--------------------	--------------

HARBOR SERIES

4x6 (Post E)	QS 23
--------------------	--------------



FLINT

HARBOR SERIES

4x6 (Post G)	QS 24
4½x6 (Post H) Drop Rail	QS 25
5x6 (Post I)	QS 26



GRANITE

HAVEN SERIES

4x8 (Post G)	QS 27
4½x8 (Post H) Drop Rail	QS 28
5x8 (Post I)	QS 29
6x8 (Post R)	QS 30

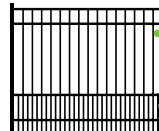
HOME SERIES

3½x6 (Post Y) Drop Rail	QS 31
4x6 (Post G)	QS 32
4½x6 (Post H) Drop Rail	QS 33
5x6 (Post I)	QS 34
6x6 (Post J)	QS 35

GRANITE (CONT'D)

HARBOR SERIES

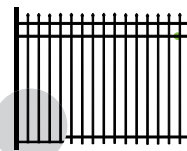
3x6 (Post F)	QS 36
4x6 (Post G)	QS 37
4x6 (Post S) Drop Rail	QS 38
4½x6 (Post H) Drop Rail	QS 39
5x6 (Post I)	QS 40
6x6 (Post J)	QS 41



JASPER

HARBOR SERIES

4x6 (Post AA)	QS 42
5x6 (Post AB)	QS 43



MARBLE

HAVEN SERIES

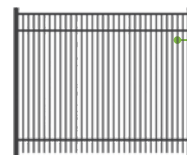
4x8 (Post B)	QS 44
5x8 (Post C)	QS 45
6x8 (Post M)	QS 46

HOME SERIES

6x6 (Post D)	QS 47
--------------------	--------------

HARBOR SERIES

3x6 (Post A)	QS 48
4x6 (Post B)	QS 49
5x6 (Post C)	QS 50
6x6 (Post D)	QS 51



TRAVERTINE

HARBOR SERIES

4x6 (Post G)	QS 52
4½x6 (Post H) Drop Rail	QS 53



PUPPY PICKET ADD-ON-PANEL

Post Caps, Posts, Brackets and Inserts	54 – 55
Hardware	56 – 58
Gates	59 – 62
Fencing User Guide & Terms	63 – 66
Warranty	67

HAVEN SERIES	4' X 8' AMETHYST	
Description:	Black	
	QTY	SKU
4' x 8' Amethyst		73008988
2½" x 2½" x 70" Line Post (G)		73009240
2½" x 2½" x 70" Corner Post (G)		73009241
2½" x 2½" x 70" End Post (G)		73009242
2½" x 2½" x 70" Heavy-Duty Gate Post (G)		73009243
2½" x 2½" x 70" Blank Post		73003649
4' x 3' Amethyst Arched Gate		73010326
4' x 3' Amethyst Straight Gate		73010329
4' x 4' Amethyst Arched Gate		73010327
4' x 4' Amethyst Straight Gate		73010330
4' x 5' Amethyst Arched Gate		73010328
4' x 5' Amethyst Straight Gate		73010331
4' x 6' Amethyst Arched Gate		73016348
4' x 6' Amethyst Straight Gate		73016352
4' x 7' Amethyst Arched Gate		73016484
4' x 7' Amethyst Straight Gate		73016488
4' x 8' Amethyst Arched Gate		73016660
4' x 8' Amethyst Straight Gate		73016624
4' x 6' Amethyst Double Drive Single Arched Gate		73016708
4' x 8' Amethyst Double Drive Single Arched Gate		73016836
4' x 8' Amethyst Double Drive Estate Arched Gate		73016840
4' x 10' Amethyst Double Drive Single Arched Gate		73016980
4' x 10' Amethyst Double Drive Estate Arched Gate		73016984
4' x 12' Amethyst Double Drive Single Arched Gate		73017116
4' x 12' Amethyst Double Drive Estate Arched Gate		73017120
4' x 14' Amethyst Double Drive Single Arched Gate		73017252
4' x 14' Amethyst Double Drive Estate Arched Gate		73017256
4' x 16' Amethyst Double Drive Single Arched Gate		73017388
4' x 16' Amethyst Double Drive Estate Arched Gate		73017392

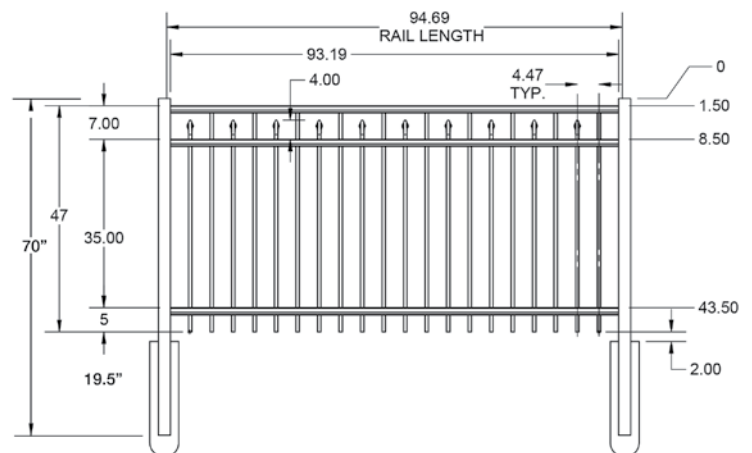
Hinges included with all gates. Latches and drop rods sold separately. (See Hardware box below).

Shaded SKUs = QuickShip. QuickShip available in Black only. Applies to: Fence Panels; Line, Corner, End and Gate Posts; and 4' and 5' Wide Gates.



Hardware:	Black	
	QTY	SKU
Gravity Latch		73002252
Locking Gravity Latch 2-Sided Key Entry		73024418
Heavy-Duty Drop Rod — 24"		73014305
Locking Pool Safety Latch		73050191
Compact Locking Pool Safety Latch		73050192

Accessories and Hardware can be found on pages 54 —57. Gate Information can be found on pages 59 —62.



Dealer Info:



HAVEN SERIES	4 1/2' X 8' AMETHYST DROP RAIL	
Description:	Black	
	QTY	SKU
4 1/2" x 8" Amethyst Drop Rail		73008989
2 1/2" x 2 1/2" x 82" Line Post (H)		73009244
2 1/2" x 2 1/2" x 82" Corner Post (H)		73009245
2 1/2" x 2 1/2" x 82" End Post (H)		73009246
2 1/2" x 2 1/2" x 82" Heavy-Duty Gate Post (H)		73009247
2 1/2" x 2 1/2" x 82" Blank Post		73009256
4 1/2' x 3' Amethyst' Arched Gate		73010332
4 1/2' x 3' Amethyst Straight Gate		73010335
4 1/2' x 4' Amethyst' Arched Gate		73010333
4 1/2' x 4' Amethyst Straight Gate		73010336
4 1/2' x 5' Amethyst' Arched Gate		73010334
4 1/2' x 5' Amethyst Straight Gate		73010337
4 1/2' x 6' Amethyst' Arched Gate		73016356
4 1/2' x 6' Amethyst Straight Gate		73016360
4 1/2' x 7' Amethyst' Arched Gate		73016492
4 1/2' x 7' Amethyst Straight Gate		73016496
4 1/2' x 8' Amethyst' Arched Gate		73016628
4 1/2' x 8' Amethyst Straight Gate		73016632
4 1/2' x 6' Amethyst Double Drive Single' Arched Gate		73016712
4 1/2' x 8' Amethyst Double Drive Single' Arched Gate		73016844
4 1/2' x 8' Amethyst Double Drive Estate' Arched Gate		73016848
4 1/2' x 10' Amethyst Double Drive Single' Arched Gate		73016988
4 1/2' x 10' Amethyst Double Drive Estate' Arched Gate		73016992
4 1/2' x 12' Amethyst Double Drive Single' Arched Gate		73017124
4 1/2' x 12' Amethyst Double Drive Estate' Arched Gate		73017128
4 1/2' x 14' Amethyst Double Drive Single' Arched Gate		73017260
4 1/2' x 14' Amethyst Double Drive Estate' Arched Gate		73017264
4 1/2' x 16' Amethyst Double Drive Single' Arched Gate		73017396
4 1/2' x 16' Amethyst Double Drive Estate' Arched Gate		73017400

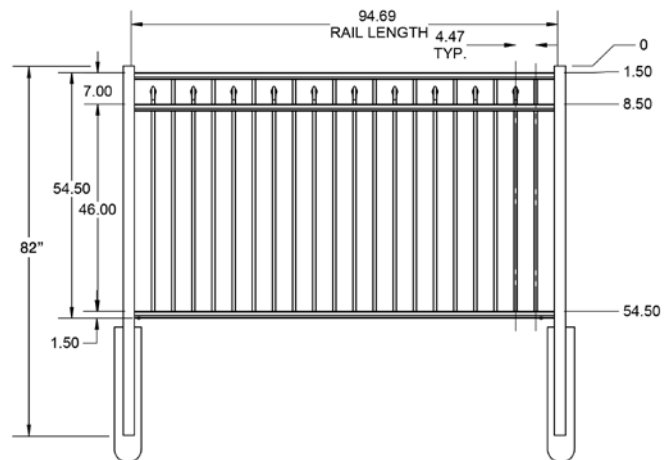
Hinges included with all gates. Latches and drop rods sold separately. (See Hardware box below).

Shaded SKUs = QuickShip. QuickShip available in Black only. Applies to: Fence Panels; Line, Corner, End and Gate Posts; and 4' and 5' Wide Gates.



Hardware:	Black	
	QTY	SKU
Gravity Latch		73002252
Locking Gravity Latch 2-Sided Key Entry		73024418
Heavy Duty Drop Rod — 24"		73014305
Locking Pool Safety Latch		73050191
Compact Locking Pool Safety Latch		73050192

Accessories and Hardware can be found on pages 54 —57. Gate Information can be found on pages 59 —62.



Dealer Info:



HAVEN SERIES	5" X 8" AMETHYST	
Description:	Black	
	QTY	SKU
5' x 8' Amethyst		73008990
2½" x 2½" x 88" Line Post (I)		73009248
2½" x 2½" x 88" Corner Post (I)		73009249
2½" x 2½" x 88" End Post (I)		73009250
2½" x 2½" x 88" Heavy-Duty Gate Post (I)		73009251
2½" x 2½" x 88" Blank Post		73003646
5' x 3' Amethyst' Arched Gate		73010338
5' x 3' Amethyst Straight Gate		73010341
5' x 4' Amethyst' Arched Gate		73010339
5' x 4' Amethyst Straight Gate		73010342
5' x 5' Amethyst' Arched Gate		73010340
5' x 5' Amethyst Straight Gate		73010343
5' x 6' Amethyst' Arched Gate		73016364
5' x 6' Amethyst Straight Gate		73016368
5' x 7' Amethyst' Arched Gate		73016500
5' x 7' Amethyst Straight Gate		73016504
5' x 8' Amethyst' Arched Gate		73016636
5' x 8' Amethyst Straight Gate		73016640
5' x 6' Amethyst Double Drive Single' Arched Gate		73016716
5' x 8' Amethyst Double Drive Single' Arched Gate		73016852
5' x 8' Amethyst Double Drive Estate' Arched Gate		73016856
5' x 10' Amethyst Double Drive Single' Arched Gate		73016996
5' x 10' Amethyst Double Drive Estate' Arched Gate		73017000
5' x 12' Amethyst Double Drive Single' Arched Gate		73017132
5' x 12' Amethyst Double Drive Estate' Arched Gate		73017136
5' x 14' Amethyst Double Drive Single' Arched Gate		73017268
5' x 14' Amethyst Double Drive Estate' Arched Gate		73017272
5' x 16' Amethyst Double Drive Single' Arched Gate		73017404
5' x 16' Amethyst Double Drive Estate' Arched Gate		73017408

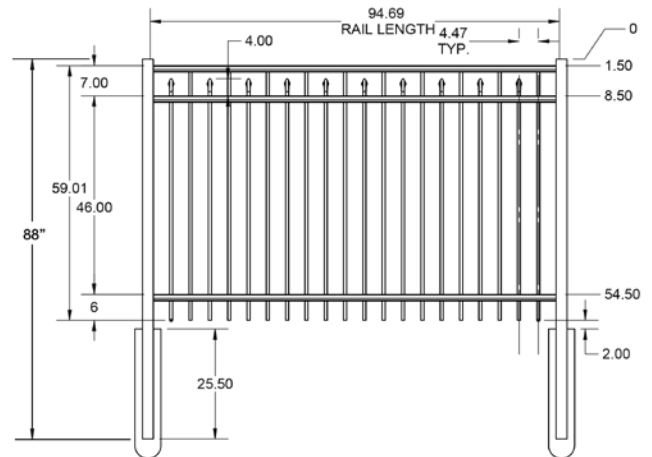
Hinges included with all gates. Latches and drop rods sold separately. (See Hardware box below).

Shaded SKUs = QuickShip. QuickShip available in Black only. Applies to: Fence Panels; Line, Corner, End and Gate Posts; and 4' and 5' Wide Gates.



Hardware:	Black	
	QTY	SKU
Gravity Latch		73002252
Locking Gravity Latch 2-Sided Key Entry		73024418
Heavy-Duty Drop Rod — 24"		73014305
Locking Pool Safety Latch		73050191
Compact Locking Pool Safety Latch		73050192

Accessories and Hardware can be found on pages 54 –57. Gate Information can be found on pages 59 –62.



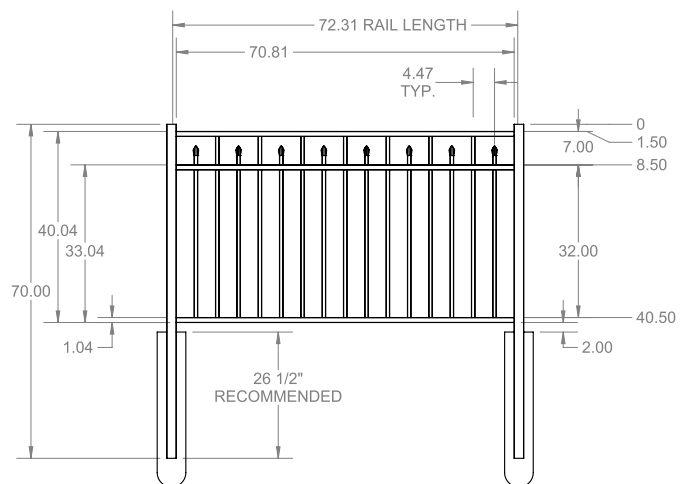
Dealer Info:



HOME SERIES	3 1/2' X 6' AMETHYST DROP RAIL	
Description:	Black	
	QTY	SKU
3 1/2' x 6' Amethyst Drop Rail		73017859
2" x 2" x 70" Line Post (G)		73017882
2" x 2" x 70" Corner Post (G)		73017882
2" x 2" x 70" End Post (G)		73017879
2" x 2" x 70" Heavy-Duty Gate Post (G)		73017880
2" x 2" x 70" Blank Post		73017881
3 1/2' x 4' Amethyst Drop Rail Arched Gate		73017864
3 1/2' x 4' Amethyst Drop Rail Straight Gate		73017862
3 1/2' x 5' Amethyst Drop Rail Arched Gate		73017873
3 1/2' x 5' Amethyst Drop Rail Straight Gate		73017871

Hardware:	Black	
	QTY	SKU
Gravity Latch		73002252
Locking Gravity Latch 2-Sided Key Entry		73024418
Heavy Duty Drop Rod — 24"		73014305
Locking Pool Safety Latch		73050191
Compact Locking Pool Safety Latch		73050192

Accessories and Hardware can be found on pages 54 —57.
Gate Information can be found on pages 59 —62.



Dealer Info:



HOME SERIES	4' X 6' AMETHYST	
Description:	Black	
	QTY	SKU
4' x 6' Amethyst		73017869
2" x 2" x 70" Line Post (G)		73002255
2" x 2" x 70" Corner Post (G)		73002256
2" x 2" x 70" End Post (G)		73002257
2" x 2" x 70" Heavy-Duty Gate Post (G)		73002258
2" x 2" x 70" Blank Post		73002235
4' x 3' Amethyst Arched Gate		73021176
4' x 3' Amethyst Straight Gate		73021177
4' x 4' Amethyst Arched Gate		73017866
4' x 4' Amethyst Straight Gate		73017865
4' x 5' Amethyst Arched Gate		73017875
4' x 5' Amethyst Straight Gate		73017874
4' x 6' Amethyst Arched Gate		73021178
4' x 6' Amethyst Straight Gate		73021179
4' x 6' Amethyst Double Drive Single Arched Gate		73021180
4' x 8' Amethyst Double Drive Single Arched Gate		73021181
4' x 8' Amethyst Double Drive Estate Arched Gate		73021182
4' x 10' Amethyst Double Drive Single Arched Gate		73021183
4' x 10' Amethyst Double Drive Estate Arched Gate		73021184
4' x 12' Amethyst Double Drive Single Arched Gate		73021185
4' x 12' Amethyst Double Drive Estate Arched Gate		73021186

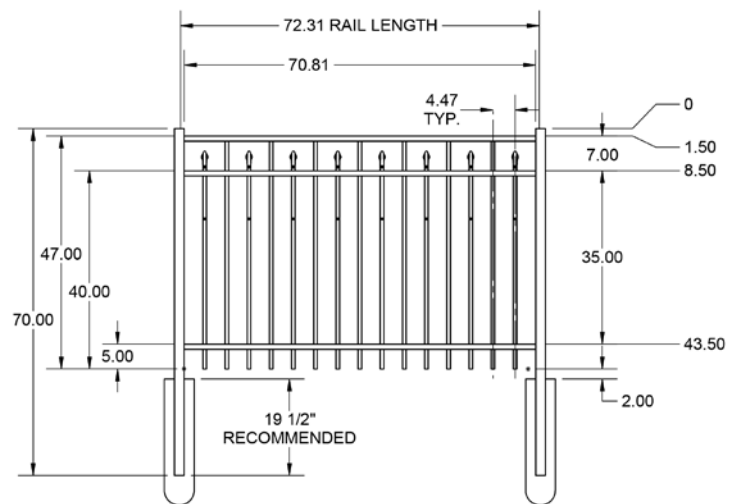
Hinges included with all gates. Latches and drop rods sold separately. (See Hardware box below).

Shaded SKUs = QuickShip. QuickShip available in Black only. Applies to: Fence Panels; Line, Corner, End and Gate Posts; and 4' and 5' Wide Gates.



Hardware:	Black	
	QTY	SKU
Gravity Latch		73002252
Locking Gravity Latch 2-Sided Key Entry		73024418
Heavy-Duty Drop Rod — 24"		73014305
Locking Pool Safety Latch		73050191
Compact Locking Pool Safety Latch		73050192

Accessories and Hardware can be found on pages 54 —57. Gate Information can be found on pages 59 —62.



Dealer Info:



HOME SERIES	4½' X 6' AMETHYST DROP RAIL	
Description:	Black	
	QTY	SKU
4½' x 6' Amethyst Drop Rail		73017772
2" x 2" x 82" Line Post (H)		73002387
2" x 2" x 82" Corner Post (H)		73002380
2" x 2" x 82" End Post (H)		73002383
2" x 2" x 82" Heavy-Duty Gate Post (H)		73002385
2" x 2" x 82" Blank Post		73008755
4½' x 3' Amethyst Arched Gate		73021361
4½' x 3' Amethyst Straight Gate		73021362
4½' x 4' Amethyst Arched Gate		73017784
4½' x 4' Amethyst Straight Gate		73017782
4½' x 5' Amethyst Arched Gate		73017802
4½' x 5' Amethyst Straight Gate		73017800
4½' x 6' Amethyst Arched Gate		73021363
4½' x 6' Amethyst Straight Gate		73021364
4½' x 6' Amethyst Double Drive Single Arched Gate		73021365
4½' x 8' Amethyst Double Drive Single Arched Gate		73021366
4½' x 8' Amethyst Double Drive Estate Arched Gate		73021367
4½' x 10' Amethyst Double Drive Single Arched Gate		73021368
4½' x 10' Amethyst Double Drive Estate Arched Gate		73021369
4½' x 12' Amethyst Double Drive Single Arched Gate		73021370
4½' x 12' Amethyst Double Drive Estate Arched Gate		73021371

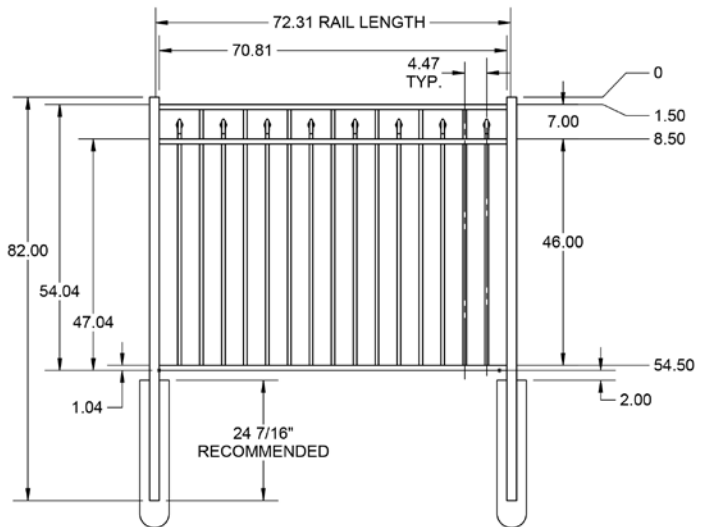
Hinges included with all gates. Latches and drop rods sold separately.
(See Hardware box below).

Shaded SKUs = QuickShip. QuickShip available in Black only.
Applies to: Fence Panels; Line, Corner, End and Gate Posts; and 4' and 5' Wide Gates.



Hardware:	Black	
	QTY	SKU
Gravity Latch		73002252
Locking Gravity Latch 2-Sided Key Entry		73024418
Heavy Duty Drop Rod — 24"		73014305
Locking Pool Safety Latch		73050191
Compact Locking Pool Safety Latch		73050192

Accessories and Hardware can be found on pages 54 –57.
Gate Information can be found on pages 59 –62.



Dealer Info:



HOME SERIES	5' X 6' AMETHYST	
Description:	Black	
	QTY	SKU
5' x 6' Amethyst		73017860
2" x 2" x 88" Line Post (G)		73002265
2" x 2" x 88" Corner Post (G)		73002266
2" x 2" x 88" End Post (G)		73002267
2" x 2" x 88" Heavy-Duty Gate Post (G)		73002268
2" x 2" x 88" Blank Post		73002237
5' x 3' Amethyst Arched Gate		73021515
5' x 3' Amethyst Straight Gate		73021516
5' x 4' Amethyst Arched Gate		73017868
5' x 4' Amethyst Straight Gate		73017867
5' x 5' Amethyst Arched Gate		73017877
5' x 5' Amethyst Straight Gate		73017876
5' x 6' Amethyst Arched Gate		73021517
5' x 6' Amethyst Straight Gate		73021518
5' x 6' Amethyst Double Drive Single Arched Gate		73021519
5' x 8' Amethyst Double Drive Single Arched Gate		73021520
5' x 8' Amethyst Double Drive Estate Arched Gate		73021521
5' x 10' Amethyst Double Drive Single Arched Gate		73021522
5' x 10' Amethyst Double Drive Estate Arched Gate		73021523
5' x 12' Amethyst Double Drive Single Arched Gate		73021524
5' x 12' Amethyst Double Drive Estate Arched Gate		73021525

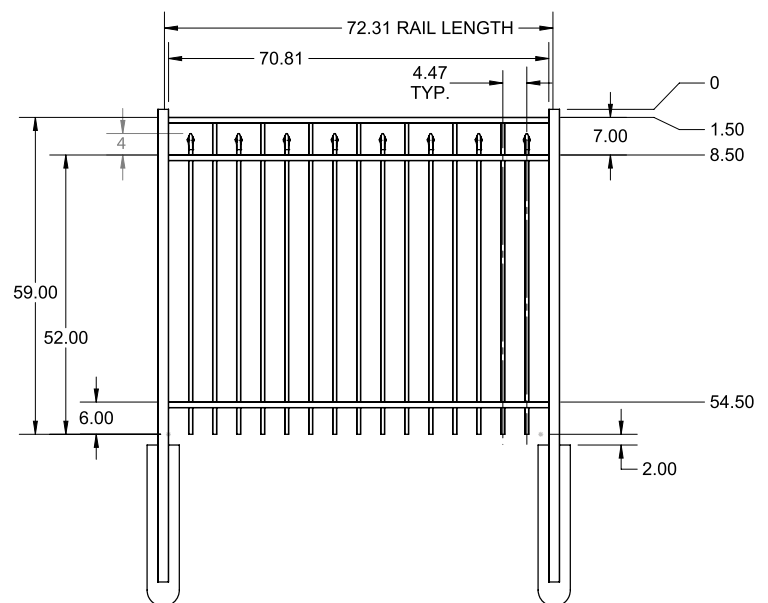
Hinges included with all gates. Latches and drop rods sold separately. (See Hardware box below).

Shaded SKUs = QuickShip. QuickShip available in Black only. Applies to: Fence Panels; Line, Corner, End and Gate Posts; and 4' and 5' Wide Gates.



Hardware:	Black	
	QTY	SKU
Gravity Latch		73002252
Locking Gravity Latch 2-Sided Key Entry		73024418
Heavy-Duty Drop Rod — 24"		73014305
Locking Pool Safety Latch		73050191
Compact Locking Pool Safety Latch		73050192

Accessories and Hardware can be found on pages 54 –57. Gate Information can be found on pages 59 –62.



Dealer Info:



HARBOR SERIES	4' X 6' AMETHYST	
	Black	
Description:	QTY	SKU
4' x 6' Amethyst		73002310
2" x 2" x 70" Line Post (G)		73002255
2" x 2" x 70" Corner Post (G)		73002256
2" x 2" x 70" End Post (G)		73002257
2" x 2" x 70" Heavy-Duty Gate Post (G)		73002258
2" x 2" x 70" Blank Post		73002235
4' x 3' Amethyst Arched Gate		73009521
4' x 3' Amethyst Straight Gate		73009524
4' x 4' Amethyst Arched Gate		73009522
4' x 4' Amethyst Straight Gate		73009525
4' x 5' Amethyst Arched Gate		73009523
4' x 5' Amethyst Straight Gate		73009526
4' x 6' Amethyst Arched Gate		73015228
4' x 6' Amethyst Straight Gate		73015232
4' x 6' Amethyst Double Drive Single Arched Gate		73015412
4' x 8' Amethyst Double Drive Single Arched Gate		73015644
4' x 8' Amethyst Double Drive Estate Arched Gate		73015648
4' x 10' Amethyst Double Drive Single Arched Gate		73015908
4' x 10' Amethyst Double Drive Estate Arched Gate		73015912
4' x 12' Amethyst Double Drive Single Arched Gate		73016164
4' x 12' Amethyst Double Drive Estate Arched Gate		73016168
19½" x 35" Puppy Picket Add-On-Panel		73050575

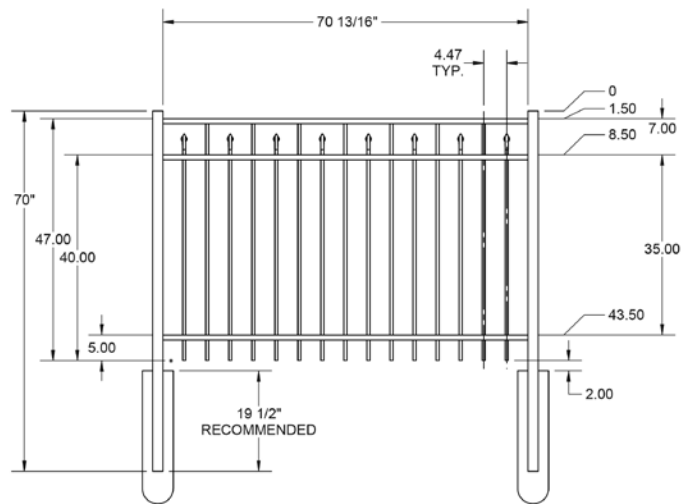
Hinges included with all gates. Latches and drop rods sold separately. (See Hardware box below).

Shaded SKUs = QuickShip. QuickShip available in Black only. Applies to: Fence Panels; Line, Corner, End and Gate Posts; and 4' and 5' Wide Gates.



Hardware:	Black	
	QTY	SKU
Gravity Latch		73002252
Locking Gravity Latch 2-Sided Key Entry		73024418
Heavy Duty Drop Rod — 24"		73014305
Locking Pool Safety Latch		73050191
Compact Locking Pool Safety Latch		73050192

Accessories and Hardware can be found on pages 54 –57. Gate Information can be found on pages 59 –62.



Dealer Info:



HARBOR SERIES	4½' X 6' AMETHYST DROP RAIL	
Description:	Black	
	QTY	SKU
4½' x 6' Amethyst Drop Rail		73002354
2" x 2" x 82" Line Post (H)		73002387
2" x 2" x 82" Corner Post (H)		73002380
2" x 2" x 82" End Post (H)		73002383
2" x 2" x 82" Heavy-Duty Gate Post (H)		73002385
2" x 2" x 82" Blank Post		73008755
4½' x 3' Amethyst Arched Gate		73009527
4½' x 3' Amethyst Straight Gate		73009530
4½' x 4' Amethyst Arched Gate		73009528
4½' x 4' Amethyst Straight Gate		73009531
4½' x 5' Amethyst Arched Gate		73009529
4½' x 5' Amethyst Straight Gate		73009532
4½' x 6' Amethyst Arched Gate		73015236
4½' x 6' Amethyst Straight Gate		73015240
4½' x 6' Amethyst Double Drive Single Arched Gate		73015416
4½' x 8' Amethyst Double Drive Single Arched Gate		73015652
4½' x 8' Amethyst Double Drive Estate Arched Gate		73015656
4½' x 10' Amethyst Double Drive Single Arched Gate		73015916
4½' x 10' Amethyst Double Drive Estate Arched Gate		73015920
4½' x 12' Amethyst Double Drive Single Arched Gate		73016172
4½' x 12' Amethyst Double Drive Estate Arched Gate		73016176
19½" x 35" Puppy Picket Add-On-Panel		73050575

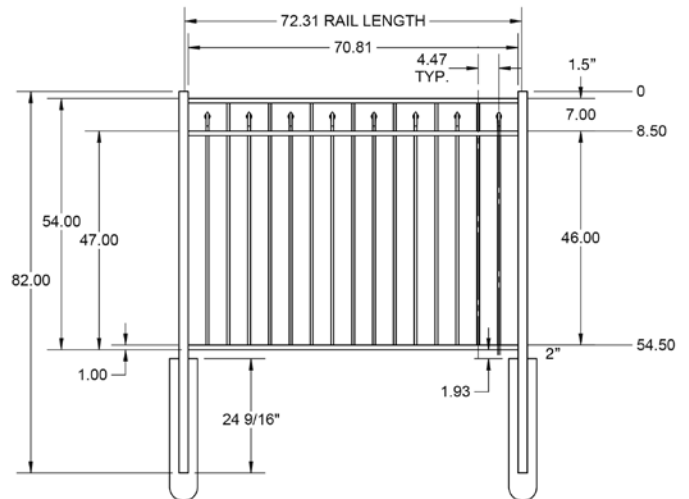
Hinges included with all gates. Latches and drop rods sold separately. (See Hardware box below).

Shaded SKUs = QuickShip. QuickShip available in Black only. Applies to: Fence Panels; Line, Corner, End and Gate Posts; and 4' and 5' Wide Gates.



Hardware:	Black	
	QTY	SKU
Gravity Latch		73002252
Locking Gravity Latch 2-Sided Key Entry		73024418
Heavy-Duty Drop Rod — 24"		73014305
Locking Pool Safety Latch		73050191
Compact Locking Pool Safety Latch		73050192

Accessories and Hardware can be found on pages 54 –57. Gate Information can be found on pages 59 –62.



Dealer Info:



Description:	5' X 6' AMETHYST	
	Black	
	QTY	SKU
5' x 6' Amethyst		73002343
2" x 2" x 88" Line Post (l)		73002265
2" x 2" x 88" Corner Post (l)		73002266
2" x 2" x 88" End Post (l)		73002267
2" x 2" x 88" Heavy-Duty Gate Post (l)		73002268
2" x 2" x 88" Blank Post		73002237
5' x 3' Amethyst Arched Gate		73009533
5' x 3' Amethyst Straight Gate		73009536
5' x 4' Amethyst Arched Gate		73009534
5' x 4' Amethyst Straight Gate		73009537
5' x 5' Amethyst Arched Gate		73009535
5' x 5' Amethyst Straight Gate		73009538
5' x 6' Amethyst Arched Gate		73015244
5' x 6' Amethyst Straight Gate		73015248
5' x 6' Amethyst Double Drive Single Arched Gate		73015420
5' x 8' Amethyst Double Drive Single Arched Gate		73015660
5' x 8' Amethyst Double Drive Estate Arched Gate		73015664
5' x 10' Amethyst Double Drive Single Arched Gate		73015924
5' x 10' Amethyst Double Drive Estate Arched Gate		73015928
5' x 12' Amethyst Double Drive Single Arched Gate		73016180
5' x 12' Amethyst Double Drive Estate Arched Gate		73016184
19½" x 35" Puppy Picket Add-On-Panel		73050575

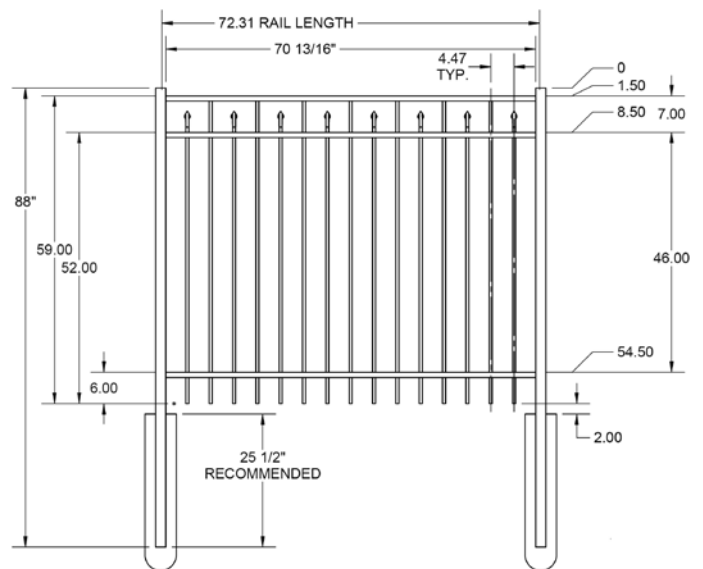
Hinges included with all gates. Latches and drop rods sold separately. (See Hardware box below).

Shaded SKUs = QuickShip. QuickShip available in Black only. Applies to: Fence Panels; Line, Corner, End and Gate Posts; and 4' and 5' Wide Gates.



Hardware:	Black	
	QTY	SKU
Gravity Latch		73002252
Locking Gravity Latch 2-Sided Key Entry		73024418
Heavy Duty Drop Rod — 24"		73014305
Locking Pool Safety Latch		73050191
Compact Locking Pool Safety Latch		73050192

Accessories and Hardware can be found on pages 54 —57. Gate Information can be found on pages 59 —62.



Dealer Info:



HAVEN SERIES	4' X 6' BEDROCK	
Description:	Black	
	QTY	SKU
4' x 6' Bedrock		73008974
2½" x 2½" x 70" Line Post (E)		73009236
2½" x 2½" x 70" Corner Post (E)		73009237
2½" x 2½" x 70" End Post (E)		73009238
2½" x 2½" x 70" Heavy-Duty Gate Post (E)		73009239
2½" x 2½" x 70" Blank Post		73003649
4' x 3' Bedrock Arched Gate		73016232
4' x 3' Bedrock Straight Gate		73010299
4' x 4' Bedrock Arched Gate		73016236
4' x 4' Bedrock Straight Gate		73010300
4' x 5' Bedrock Arched Gate		73016240
4' x 5' Bedrock Straight Gate		73010301
4' x 6' Bedrock Double Drive Single Arched Gate		73016688
4' x 8' Bedrock Double Drive Single Arched Gate		73016796
4' x 8' Bedrock Double Drive Estate Arched Gate		73016800
4' x 10' Bedrock Double Drive Single Arched Gate		73016940
4' x 10' Bedrock Double Drive Estate Arched Gate		73016944

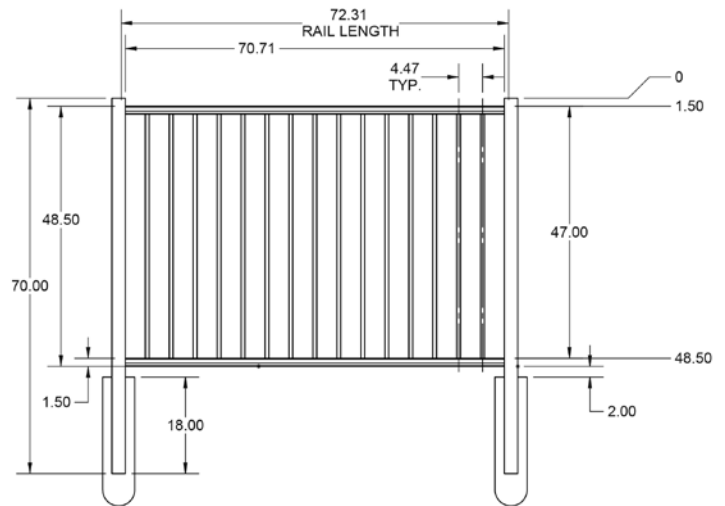
Hinges included with all gates. Latches and drop rods sold separately.
(See Hardware box below).

Shaded SKUs = QuickShip. QuickShip available in Black only.
Applies to: Fence Panels; Line, Corner, End and Gate Posts; and 4' and 5' Wide Gates.



Hardware:	Black	
	QTY	SKU
Gravity Latch		73002252
Locking Gravity Latch 2-Sided Key Entry		73024418
Heavy-Duty Drop Rod — 24"		73014305
Locking Pool Safety Latch		73050191
Compact Locking Pool Safety Latch		73050192

Accessories and Hardware can be found on pages 54 —57.
Gate Information can be found on pages 59 —62.



Dealer Info:



HOME SERIES	4' X 6' BEDROCK	
Description:	Black	
	QTY	SKU
4' x 6' Bedrock		73017992
2" x 2" x 70" Line Post (E)		73008710
2" x 2" x 70" Corner Post (E)		73008711
2" x 2" x 70" End Post (E)		73008712
2" x 2" x 70" Heavy-Duty Gate Post (E)		73008713
2" x 2" x 70" Blank Post		73002235
4' x 3' Bedrock Arched Gate		73021038
4' x 3' Bedrock Straight Gate		73021039
4' x 4' Bedrock Arched Gate		73017970
4' x 4' Bedrock Straight Gate		73017971
4' x 5' Bedrock Arched Gate		73017972
4' x 5' Bedrock Straight Gate		73017973
4' x 6' Bedrock Double Drive Single Arch Gate		73021040
4' x 8' Bedrock Double Drive Single Arch Gate		73021041
4' x 8' Bedrock Double Drive Estate Arch Gate		73021042
4' x 10' Bedrock Double Drive Single Arch Gate		73021043
4' x 10' Bedrock Double Drive Estate Arch Gate		73021044

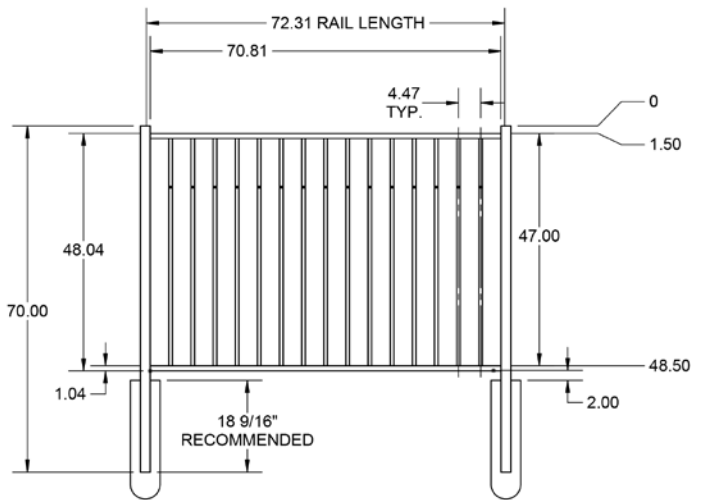
Hinges included with all gates. Latches and drop rods sold separately. (See Hardware box below).

Shaded SKUs = QuickShip. QuickShip available in Black only. Applies to: Fence Panels; Line, Corner, End and Gate Posts; and 4' and 5' Wide Gates.



Hardware:	Black	
	QTY	SKU
Gravity Latch		73002252
Locking Gravity Latch 2-Sided Key Entry		73024418
Heavy Duty Drop Rod — 24"		73014305
Locking Pool Safety Latch		73050191
Compact Locking Pool Safety Latch		73050192

Accessories and Hardware can be found on pages 54 —57. Gate Information can be found on pages 59 —62.



Dealer Info:



HARBOR SERIES	4' X 6' BEDROCK				
	Description:	Black		Pewter	
		QTY	SKU	QTY	SKU
4' x 6' Bedrock		73008701		73008705	
2" x 2" x 70" Line Post (E)		73008710		73008718	
2" x 2" x 70" Corner Post (E)		73008711		73008719	
2" x 2" x 70" End Post (E)		73008712		73008720	
2" x 2" x 70" Heavy-Duty Gate Post (E)		73008713		73008721	
2" x 2" x 70" Blank Post		73002235		73008754	
4' x 3' Bedrock Arched Gate		73015000		73015001	
4' x 3' Bedrock Straight Gate		73009452		73009671	
4' x 4' Bedrock Arched Gate		73015004		73015005	
4' x 4' Bedrock Straight Gate		73009453		73009672	
4' x 5' Bedrock Arched Gate		73015008		73015009	
4' x 5' Bedrock Straight Gate		73009454		73009673	
4' x 6' Bedrock Double Drive Single Arch Gate		73015364		73015365	
4' x 8' Bedrock Double Drive Single Arch Gate		73015560		73015561	
4' x 8' Bedrock Double Drive Estate Arch Gate		73015564		73015565	
4' x 10' Bedrock Double Drive Single Arch Gate		73015824		73015825	
4' x 10' Bedrock Double Drive Estate Arch Gate		73015828		73015829	
19½" x 35" Puppy Picket Add-On-Panel		73050575		73050575	

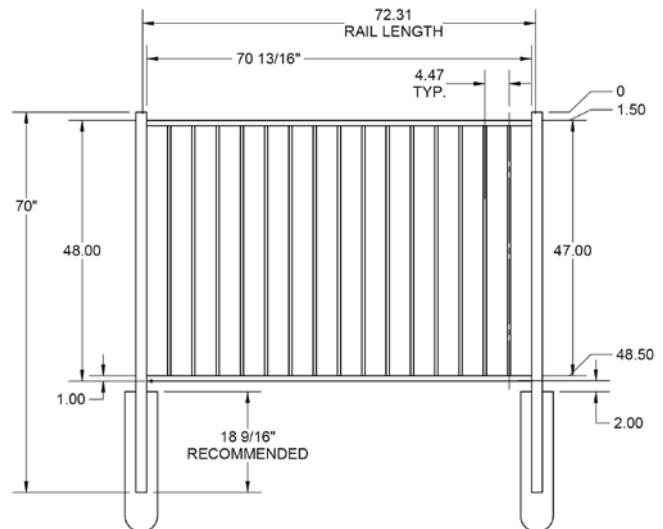
Hinges included with all gates. Latches and drop rods sold separately. (See Hardware box below).

Shaded SKUs = QuickShip. QuickShip available in Black and Pewter. Applies to: Fence Panels; Line, Corner, End and Gate Posts; and 4' and 5' Wide Gates.



Hardware:	Black	
	QTY	SKU
Gravity Latch		73002252
Locking Gravity Latch 2-Sided Key Entry		73024418
Heavy-Duty Drop Rod — 24"		73014305
Locking Pool Safety Latch		73050191
Compact Locking Pool Safety Latch		73050192

Accessories and Hardware can be found on pages 54 —57. Gate Information can be found on pages 59 —62.



Dealer Info:



HARBOR SERIES	4' X 6' FLINT	
Description:	Black	
	QTY	SKU
4' x 6' Flint		73050576
70" Flat Top/Alt Picket Line Post (G)		73002255
70" Flat Top/Alt Picket Corner Post		73002256
70" Flat Top/Alt Picket End Post		73002257
70" Flat Top/Alt Picket Heavy-Duty Gate Post		73002258
70" Blank Post		73002235
4' x 4' Flint Straight Gate		73050577
4' x 5' Flint Straight Gate		73050578
19½" x 35" Puppy Picket Add-On-Panel		73050575

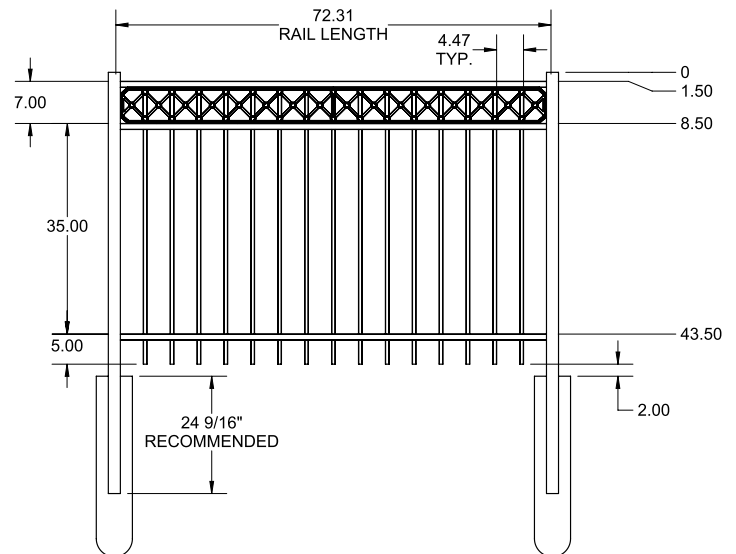
Hinges included with all gates. Latches and drop rods sold separately. (See Hardware box below).

Shaded SKUs = QuickShip. QuickShip available in Black only. Applies to: Fence Panels; Line, Corner, End and Gate Posts; and 4' and 5' Wide Gates.



Hardware:	Black	
	QTY	SKU
Gravity Latch		73002252
Locking Gravity Latch 2-Sided Key Entry		73024418
Heavy Duty Drop Rod — 24"		73014305
Locking Pool Safety Latch		73050191
Compact Locking Pool Safety Latch		73050192

Accessories and Hardware can be found on pages 54 –57. Gate Information can be found on pages 59 –62.



Dealer Info:



HARBOR SERIES	4½' X 6' FLINT DROP RAIL	
Description:	Black	
	QTY	SKU
4½' x 6' Flint		73050579
82" Flat top/Alt Picket Line Post (H)		73002387
82" Flat Top/Alt Picket Corner Post		73002380
82" Flat Top/Alt Picket End Post		73002383
82" Flat Top/Alt Picket Heavy-Duty Gate Post		73002385
82" Blank Post		73008755
4½' x 4' Flint Straight Gate		73050580
4½' x 5' Flint Straight Gate		73050581
19½" x 35" Puppy Picket Add-On-Panel		73050575

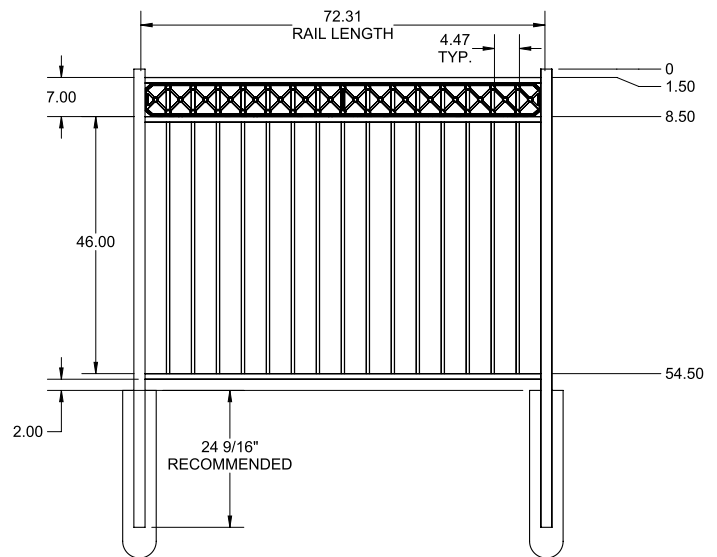
Hinges included with all gates. Latches and drop rods sold separately.
(See Hardware box below).

Shaded SKUs = QuickShip. QuickShip available in Black only.
Applies to: Fence Panels; Line, Corner, End and Gate Posts; and 4' and 5' Wide Gates.



Hardware:	Black	
	QTY	SKU
Gravity Latch		73002252
Locking Gravity Latch 2-Sided Key Entry		73024418
Heavy-Duty Drop Rod — 24"		73014305
Locking Pool Safety Latch		73050191
Compact Locking Pool Safety Latch		73050192

Accessories and Hardware can be found on pages 54 —57.
Gate Information can be found on pages 59 —62.



Dealer Info:



HARBOR SERIES	5' X 6' FLINT	
Description:	Black	
	QTY	SKU
5' x 6' Flint Fence Black		73050582
88" Flat Top/Alt Picket Line Post (1)		73002265
88" Flat Top/Alt Picket Corner Post		73002266
88" Flat Top/Alt Picket End Post		73002267
88" Flat Top/Alt Picket Heavy-Duty Gate Post		73002268
88" Blank Post		73002237
5' x 4' Flint Straight Gate		73050583
5' x 5' Flint Straight Gate		73050584
19½" x 35" Residential Puppy Picket Add-on Kit Black		73050575

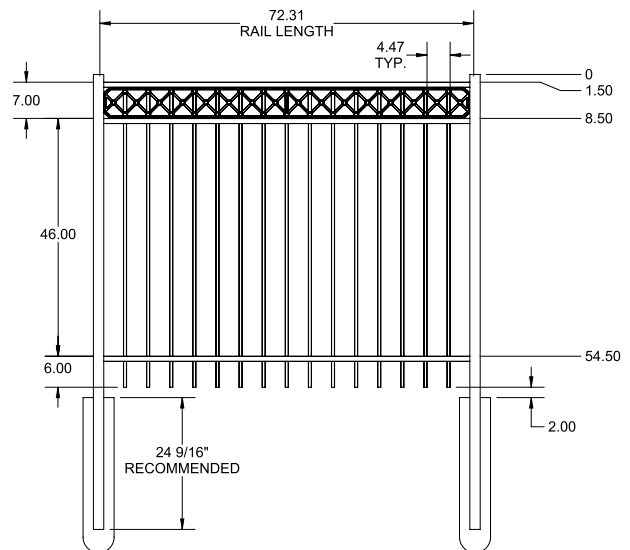
Hinges included with all gates. Latches and drop rods sold separately.
(See Hardware box below).

Shaded SKUs = QuickShip. QuickShip available in Black only.
Applies to: Fence Panels; Line, Corner, End and Gate Posts; and 4' and 5' Wide Gates.



Hardware:	Black	
	QTY	SKU
Gravity Latch		73002252
Locking Gravity Latch 2-Sided Key Entry		73024418
Heavy Duty Drop Rod — 24"		73014305
Locking Pool Safety Latch		73050191
Compact Locking Pool Safety Latch		73050192

Accessories and Hardware can be found on pages 54 —57.
Gate Information can be found on pages 59 —62.



Dealer Info:



HAVEN SERIES	4' X 8' GRANITE	
Description:	Black	
	QTY	SKU
4' x 8' Granite		73008980
2½" x 2½" x 70" Line Post (G)		73009240
2½" x 2½" x 70" Corner Post (G)		73009241
2½" x 2½" x 70" End Post (G)		73009242
2½" x 2½" x 70" Heavy-Duty Gate Post (G)		73009243
2½" x 2½" x 70" Blank Post		73003649
4' x 3' Granite Arched Gate		73010302
4' x 3' Granite Straight Gate		73010305
4' x 4' Granite Arched Gate		73010303
4' x 4' Granite Straight Gate		73010306
4' x 5' Granite Arched Gate		73010304
4' x 5' Granite Straight Gate		73010307
4' x 6' Granite Arched Gate		73016316
4' x 6' Granite Straight Gate		73016320
4' x 6' Granite Double Drive Single Arched Gate		73016692
4' x 7' Granite Arched Gate		73016452
4' x 7' Granite Straight Gate		73016456
4' x 8' Granite Arched Gate		73016588
4' x 8' Granite Straight Gate		73016592
4' x 8' Granite Double Drive Single Arched Gate		73016804
4' x 8' Granite Double Drive Estate Arched Gate		73016808
4' x 10' Granite Double Drive Single Arched Gate		73016948
4' x 10' Granite Double Drive Estate Arched Gate		73016952
4' x 12' Granite Double Drive Single Arched Gate		73017084
4' x 12' Granite Double Drive Estate Arched Gate		73017088
4' x 14' Granite Double Drive Single Arched Gate		73017220
4' x 14' Granite Double Drive Estate Arched Gate		73017224
4' x 16' Granite Double Drive Single Arched Gate		73017356
4' x 16' Granite Double Drive Estate Arched Gate		73017360

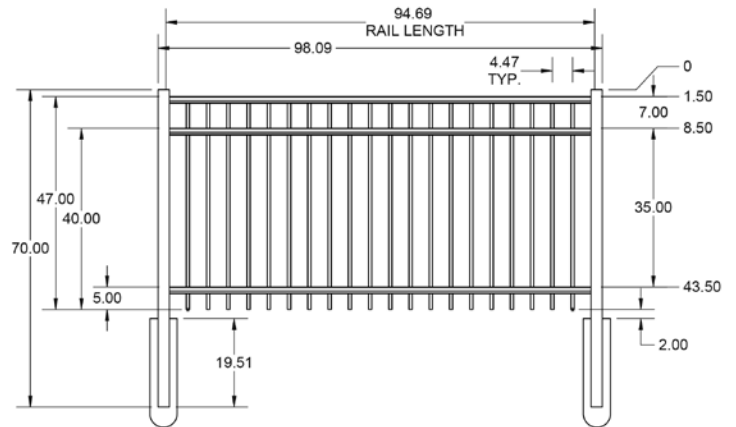
Hinges included with all gates. Latches and drop rods sold separately. (See Hardware box below).

Shaded SKUs = QuickShip. QuickShip available in Black only. Applies to: Fence Panels; Line, Corner, End and Gate Posts; and 4' and 5' Wide Gates.



Hardware:	Black	
	QTY	SKU
Gravity Latch		73002252
Locking Gravity Latch 2-Sided Key Entry		73024418
Heavy-Duty Drop Rod — 24"		73014305
Locking Pool Safety Latch		73050191
Compact Locking Pool Safety Latch		73050192

Accessories and Hardware can be found on pages 54 —57. Gate Information can be found on pages 59 —62.



Dealer Info:



HAVEN SERIES	4½' X 8' GRANITE DROP RAIL	
Description:	Black	
	QTY	SKU
4½' x 8' Granite Drop Rail		73008981
2½" x 2½" x 82" Line Post (H)		73009244
2½" x 2½" x 82" Corner Post (H)		73009245
2½" x 2½" x 82" End Post (H)		73009246
2½" x 2½" x 82" Heavy-Duty Gate Post (H)		73009247
2½" x 2½" x 82" Blank Post		73009256
4½' x 3' Granite Arched Gate		73010308
4½' x 3' Granite Straight Gate		73010311
4½' x 4' Granite Arched Gate		73010309
4½' x 4' Granite Straight Gate		73010312
4½' x 5' Granite Arched Gate		73010310
4½' x 5' Granite Straight Gate		73010313
4½' x 6' Granite Arched Gate		73016324
4½' x 6' Granite Straight Gate		73016328
4½' x 6' Granite Double Drive Single Arched Gate		73016696
4½' x 7' Granite Arched Gate		73016460
4½' x 7' Granite Straight Gate		73016464
4½' x 8' Granite Arched Gate		73016596
4½' x 8' Granite Straight Gate		73016600
4½' x 8' Granite Double Drive Single Arched Gate		73016812
4½' x 8' Granite Double Drive Estate Arched Gate		73016816
4½' x 10' Granite Double Drive Single Arched Gate		73016956
4½' x 10' Granite Double Drive Estate Arched Gate		73016960
4½' x 12' Granite Double Drive Single Arched Gate		73017092
4½' x 12' Granite Double Drive Estate Arched Gate		73017096
4½' x 14' Granite Double Drive Single Arched Gate		73017228
4½' x 14' Granite Double Drive Estate Arched Gate		73017232
4½' x 16' Granite Double Drive Single Arched Gate		73017364
4½' x 16' Granite Double Drive Estate Arched Gate		73017368

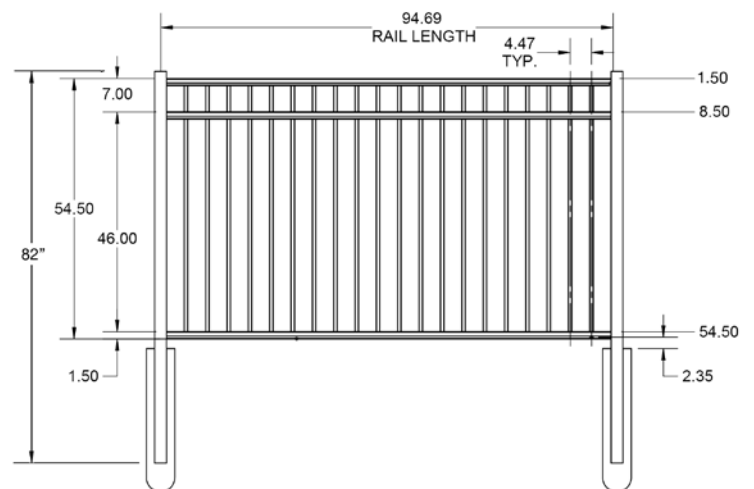
Hinges included with all gates. Latches and drop rods sold separately. (See Hardware box below).

Shaded SKUs = QuickShip. QuickShip available in Black only. Applies to: Fence Panels; Line, Corner, End and Gate Posts; and 4' and 5' Wide Gates.



Hardware:	Black	
	QTY	SKU
Gravity Latch		73002252
Locking Gravity Latch 2-Sided Key Entry		73024418
Heavy Duty Drop Rod — 24"		73014305
Locking Pool Safety Latch		73050191
Compact Locking Pool Safety Latch		73050192

Accessories and Hardware can be found on pages 54 —57. Gate Information can be found on pages 59 —62.



Dealer Info:



HAVEN SERIES	5' X 8' GRANITE	
Description:	Black	
	QTY	SKU
5' x 8' Granite		73008982
2½" x 2½" x 88" Line Post (I)		73009248
2½" x 2½" x 88" Corner Post (I)		73009249
2½" x 2½" x 88" End Post (I)		73009250
2½" x 2½" x 88" Heavy-Duty Gate Post (I)		73009251
2½" x 2½" x 88" Blank Post		73003646
5' x 3' Granite Arched Gate		73010314
5' x 3' Granite Straight Gate		73010317
5' x 4' Granite Arched Gate		73010315
5' x 4' Granite Straight Gate		73010318
5' x 5' Granite Arched Gate		73010316
5' x 5' Granite Straight Gate		73010319
5' x 6' Granite Arched Gate		73016332
5' x 6' Granite Straight Gate		73016336
5' x 6' Granite Double Drive Single Arched Gate		73016700
5' x 7' Granite Arched Gate		73016468
5' x 7' Granite Straight Gate		73016472
5' x 8' Granite Arched Gate		73016604
5' x 8' Granite Straight Gate		73016608
5' x 8' Granite Double Drive Single Arched Gate		73016820
5' x 8' Granite Double Drive Estate Arched Gate		73016824
5' x 10' Granite Double Drive Single Arched Gate		73016964
5' x 10' Granite Double Drive Estate Arched Gate		73016968
5' x 12' Granite Double Drive Single Arched Gate		73017100
5' x 12' Granite Double Drive Estate Arched Gate		73017104
5' x 14' Granite Double Drive Single Arched Gate		73017236
5' x 14' Granite Double Drive Estate Arched Gate		73017240
5' x 16' Granite Double Drive Single Arched Gate		73017372
5' x 16' Granite Double Drive Estate Arched Gate		73017376

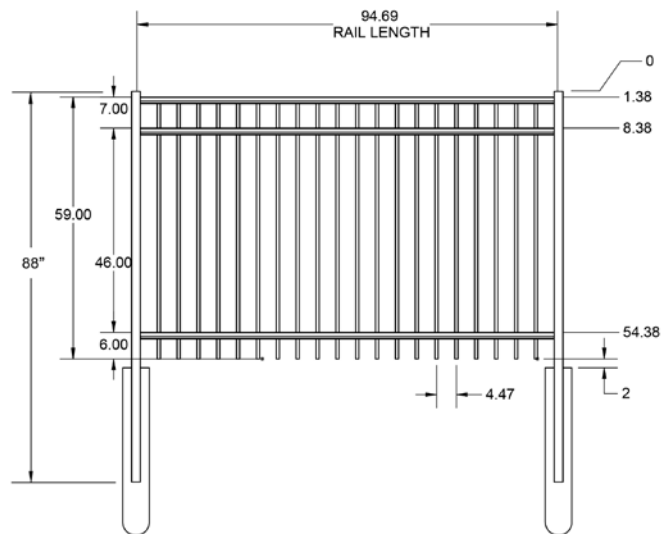
Hinges included with all gates. Latches and drop rods sold separately. (See Hardware box below).

Shaded SKUs = QuickShip. QuickShip available in Black only. Applies to: Fence Panels; Line, Corner, End and Gate Posts; and 4' and 5' Wide Gates.



Hardware:	Black	
	QTY	SKU
Gravity Latch		73002252
Locking Gravity Latch 2-Sided Key Entry		73024418
Heavy-Duty Drop Rod — 24"		73014305
Locking Pool Safety Latch		73050191
Compact Locking Pool Safety Latch		73050192

Accessories and Hardware can be found on pages 54 —57. Gate Information can be found on pages 59 —62.



Dealer Info:



HAVEN SERIES	6' X 8' GRANITE	
Description:	Black	
	QTY	SKU
6' x 8' Granite		73008983
2½" x 2½" x 106" Line Post (R)		73009252
2½" x 2½" x 106" Corner Post (R)		73009253
2½" x 2½" x 106" End Post (R)		73009254
2½" x 2½" x 106" Heavy-Duty Gate Post (R)		73009255
2½" x 2½" x 106" Blank Post		73003644
6' x 3' Granite Arched Gate		73010320
6' x 3' Granite Straight Gate		73010323
6' x 4' Granite Arched Gate		73010321
6' x 4' Granite Straight Gate		73010324
6' x 5' Granite Arched Gate		73010322
6' x 5' Granite Straight Gate		73010325
6' x 6' Granite Arched Gate		73016340
6' x 6' Granite Straight Gate		73016344
6' x 6' Granite Double Drive Single Arched Gate		73016704
6' x 7' Granite Arched Gate		73016476
6' x 7' Granite Straight Gate		73016480
6' x 8' Granite Arched Gate		73016612
6' x 8' Granite Straight Gate		73016616
6' x 8' Granite Double Drive Single Arched Gate		73016828
6' x 8' Granite Double Drive Estate Arched Gate		73016832
6' x 10' Granite Double Drive Single Arched Gate		73016972
6' x 10' Granite Double Drive Estate Arched Gate		73016976
6' x 12' Granite Double Drive Single Arched Gate		73017108
6' x 12' Granite Double Drive Estate Arched Gate		73017112
6' x 14' Granite Double Drive Single Arched Gate		73017244
6' x 14' Granite Double Drive Estate Arched Gate		73017248
6' x 16' Granite Double Drive Single Arched Gate		73017380
6' x 16' Granite Double Drive Estate Arched Gate		73017384

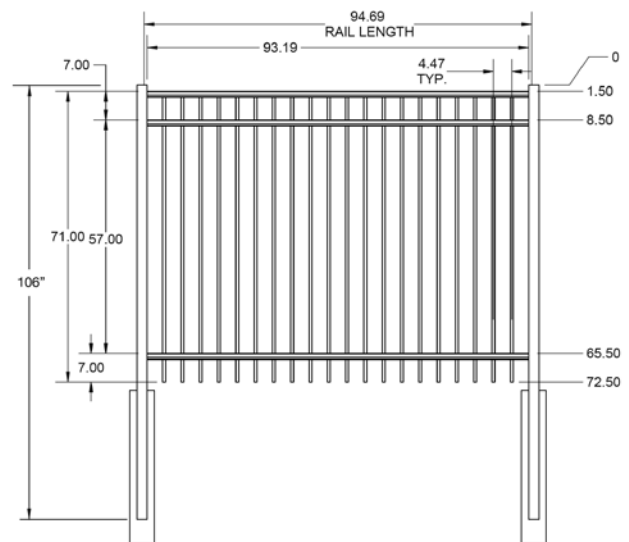
Hinges included with all gates. Latches and drop rods sold separately.
(See Hardware box below).

Shaded SKUs = QuickShip. QuickShip available in Black only.
Applies to: Fence Panels; Line, Corner, End and Gate Posts; and 4' and 5' Wide Gates.



Hardware:	Black	
	QTY	SKU
Gravity Latch		73002252
Locking Gravity Latch 2-Sided Key Entry		73024418
Heavy Duty Drop Rod — 24"		73014305
Locking Pool Safety Latch		73050191
Compact Locking Pool Safety Latch		73050192

Accessories and Hardware can be found on pages 54 —57.
Gate Information can be found on pages 59 —62.



Dealer Info:



HOME SERIES	3½' X 6' GRANITE DROP RAIL	
Description:	Black	
	QTY	SKU
3½" x 6" Granite Drop Rail		73017858
2" x 2" x 70" Line Post (AF)		73017882
2" x 2" x 70" Corner Post (AF)		73017879
2" x 2" x 70" End Post (AF)		73017880
2" x 2" x 70" Heavy-Duty Gate Post (AF)		73017881
2" x 2" x 70" Blank Post		73002235
3½" x 4' Granite Drop Rail Arched Gate		73017863
3½" x 4' Granite Drop Rail Straight Gate		73017861
3½' x 5' Granite Drop Rail Arched Gate		73017872
3½' x 5' Granite Drop Rail Straight Gate		73017870

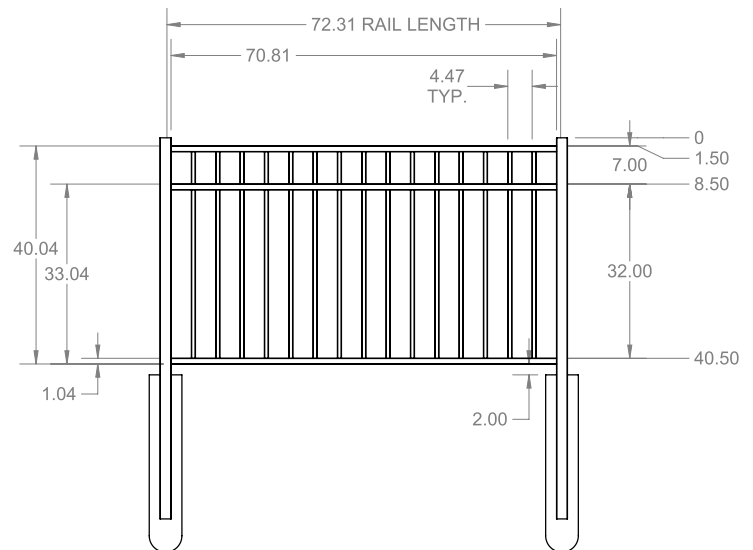
Hinges included with all gates. Latches and drop rods sold separately.
(See Hardware box below).

Shaded SKUs = QuickShip. QuickShip available in Black only.
Applies to: Fence Panels; Line, Corner, End and Gate Posts; and 4' and 5' Wide Gates.



Hardware:	Black	
	QTY	SKU
Gravity Latch		73002252
Locking Gravity Latch 2-Sided Key Entry		73024418
Heavy-Duty Drop Rod — 24"		73014305
Locking Pool Safety Latch		73050191
Compact Locking Pool Safety Latch		73050192

Accessories and Hardware can be found on pages 54 –57.
Gate Information can be found on pages 59 –62.



Dealer Info:



HOME SERIES	4' X 6' GRANITE	
Description:	Black	
	QTY	SKU
4' x 6' Granite		73017769
2" x 2" x 70" Line Post (G)		73002255
2" x 2" x 70" Corner Post (G)		73002256
2" x 2" x 70" End Post (G)		73002257
2" x 2" x 70" Heavy-Duty Gate Post (G)		73002258
2" x 2" x 70" Blank Post		73002235
4' x 3' Granite Arched Gate		73021071
4' x 3' Granite Straight Gate		73021073
4' x 4' Granite Arched Gate		73017780
4' x 4' Granite Straight Gate		73017778
4' x 5' Granite Arched Gate		73017798
4' x 5' Granite Straight Gate		73017796
4' x 6' Granite Arched Gate		73021074
4' x 6' Granite Straight Gate		73021075
4' x 6' Granite Double Drive Single Arched Gate		73021076
4' x 8' Granite Double Drive Single Arched Gate		73021077
4' x 8' Granite Double Drive Estate Arched Gate		73021078
4' x 10' Granite Double Drive Single Arched Gate		73021079
4' x 10' Granite Double Drive Estate Arched Gate		73021080
4' x 12' Granite Double Drive Single Arched Gate		73021081
4' x 12' Granite Double Drive Estate Arched Gate		73021082

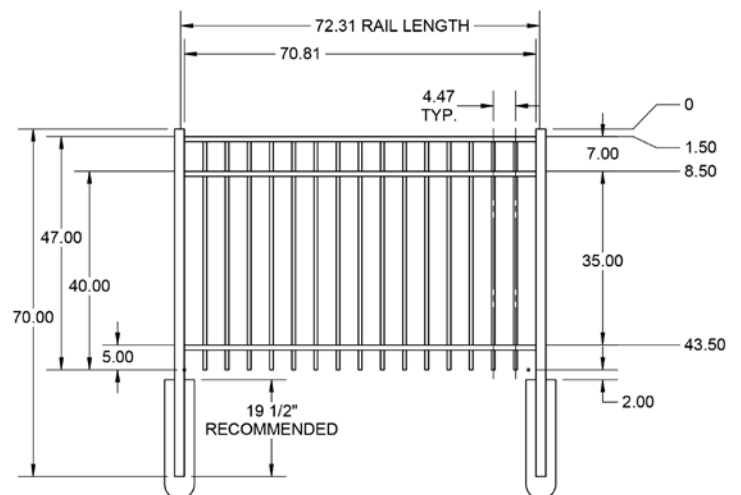
Hinges included with all gates. Latches and drop rods sold separately.
(See Hardware box below).

Shaded SKUs = QuickShip. QuickShip available in Black only.
Applies to: Fence Panels; Line, Corner, End and Gate Posts; and 4' and 5' Wide Gates.



Hardware:	Black	
	QTY	SKU
Gravity Latch		73002252
Locking Gravity Latch 2-Sided Key Entry		73024418
Heavy Duty Drop Rod — 24"		73014305
Locking Pool Safety Latch		73050191
Compact Locking Pool Safety Latch		73050192

Accessories and Hardware can be found on pages 54 –57.
Gate Information can be found on pages 59 –62.



Dealer Info:



HOME SERIES	4½' X 6' GRANITE DROP RAIL	
Description:	Black	
	QTY	SKU
4½' x 6' Granite Drop Rail		73017771
2" x 2" x 82" Line Post (H)		73002387
2" x 2" x 82" Corner Post (H)		73002380
2" x 2" x 82" End Post (H)		73002383
2" x 2" x 82" Heavy-Duty Gate Post (H)		73002385
2" x 2" x 82" Blank Post		73008755
4½' x 3' Granite Arched Gate		73021317
4½' x 3' Granite Straight Gate		73021318
4½' x 4' Granite Arched Gate		73017783
4½' x 4' Granite Straight Gate		73017781
4½' x 5' Granite Arched Gate		73017801
4½' x 5' Granite Straight Gate		73017799
4½' x 6' Granite Arched Gate		73021319
4½' x 6' Granite Straight Gate		73021320
4½' x 6' Granite Double Drive Single Arched Gate		73021321
4½' x 8' Granite Double Drive Single Arched Gate		73021322
4½' x 8' Granite Double Drive Estate Arched Gate		73021323
4½' x 10' Granite Double Drive Single Arched Gate		73021324
4½' x 10' Granite Double Drive Estate Arched Gate		73021325
4½' x 12' Granite Double Drive Single Arched Gate		73021326
4½' x 12' Granite Double Drive Estate Arched Gate		73021327

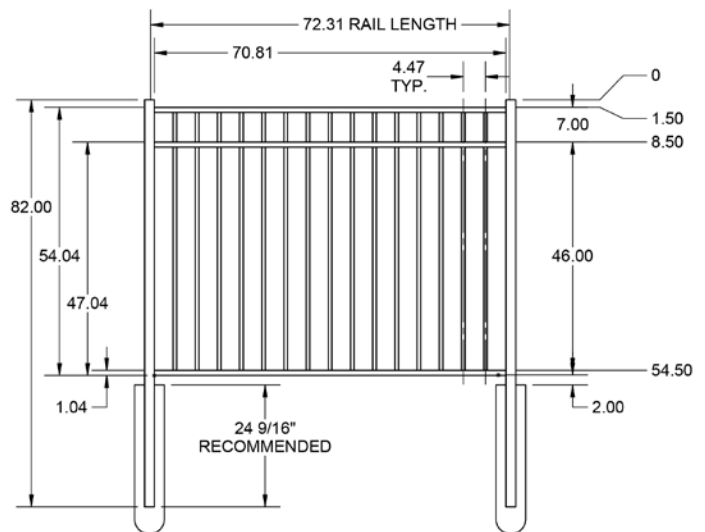
Hinges included with all gates. Latches and drop rods sold separately.
(See Hardware box below).

Shaded SKUs = QuickShip. QuickShip available in Black only.
Applies to: Fence Panels; Line, Corner, End and Gate Posts; and 4' and 5' Wide Gates.



Hardware:	Black	
	QTY	SKU
Gravity Latch		73002252
Locking Gravity Latch 2-Sided Key Entry		73024418
Heavy-Duty Drop Rod — 24"		73014305
Locking Pool Safety Latch		73050191
Compact Locking Pool Safety Latch		73050192

Accessories and Hardware can be found on pages 54 –57.
Gate Information can be found on pages 59 –62.



Dealer Info:



HOME SERIES	5' X 6' GRANITE	
Description:	Black	
	QTY	SKU
5' x 6' Granite		73017768
2" x 2" x 88" Line Post (l)		73002265
2" x 2" x 88" Corner Post (l)		73002266
2" x 2" x 88" End Post (l)		73002267
2" x 2" x 88" Heavy-Duty Gate Post (l)		73002268
2" x 2" x 88" Blank Post		73002237
5' x 3' Granite Arched Gate		73021407
5' x 3' Granite Straight Gate		73021408
5' x 4' Granite Arched Gate		73017788
5' x 4' Granite Straight Gate		73017786
5' x 5' Granite Arched Gate		73017806
5' x 5' Granite Straight Gate		73017804
5' x 6' Granite Arched Gate		73021409
5' x 6' Granite Straight Gate		73021410
5' x 6' Granite Double Drive Single Arched Gate		73021411
5' x 8' Granite Double Drive Single Arched Gate		73021412
5' x 8' Granite Double Drive Estate Arched Gate		73021413
5' x 10' Granite Double Drive Single Arched Gate		73021414
5' x 10' Granite Double Drive Estate Arched Gate		73021415
5' x 12' Granite Double Drive Single Arched Gate		73021416
5' x 12' Granite Double Drive Estate Arched Gate		73021417

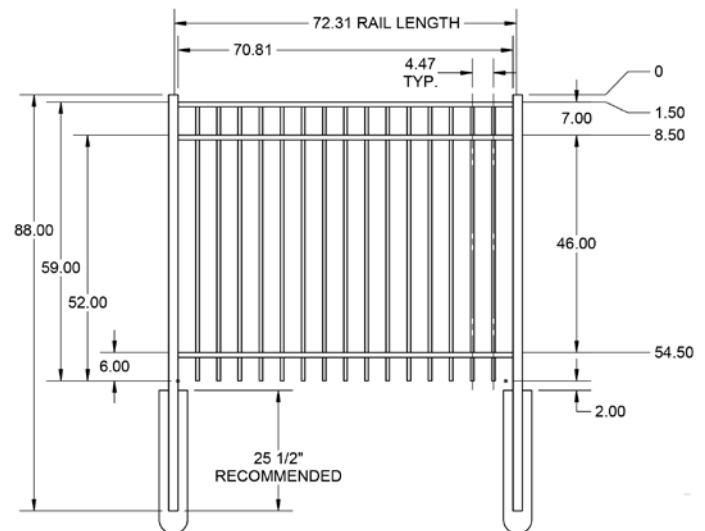
Hinges included with all gates. Latches and drop rods sold separately.
(See Hardware box below).

Shaded SKUs = QuickShip. QuickShip available in Black only.
Applies to: Fence Panels; Line, Corner, End and Gate Posts; and 4' and 5' Wide Gates.



Hardware:	Black	
	QTY	SKU
Gravity Latch		73002252
Locking Gravity Latch 2-Sided Key Entry		73024418
Heavy Duty Drop Rod — 24"		73014305
Locking Pool Safety Latch		73050191
Compact Locking Pool Safety Latch		73050192

Accessories and Hardware can be found on pages 54 –57.
Gate Information can be found on pages 59 –62.



Dealer Info:



HOME SERIES	6' X 6' GRANITE	
Description:	Black	
	QTY	SKU
6' x 6' Granite		73017774
2" x 2" x 106" Line Post (J)		73002402
2" x 2" x 106" Corner Post (J)		73002396
2" x 2" x 106" End Post (J)		73002398
2" x 2" x 106" Heavy-Duty Gate Post (J)		73002400
2" x 2" x 106" Blank Post		73002392
6' x 3' Granite Arched Gate		73021661
6' x 3' Granite Straight Gate		73021662
6' x 4' Granite Arched Gate		73017793
6' x 4' Granite Straight Gate		73017790
6' x 5' Granite Arched Gate		73017811
6' x 5' Granite Straight Gate		73017808
6' x 6' Granite Arched Gate		73021663
6' x 6' Granite Straight Gate		73021664
6' x 6' Granite Double Drive Single Arched Gate		73021665
6' x 8' Granite Double Drive Single Arched Gate		73021666
6' x 8' Granite Double Drive Estate Arched Gate		73021667
6' x 10' Granite Double Drive Single Arched Gate		73021668
6' x 10' Granite Double Drive Estate Arched Gate		73021669
6' x 12' Granite Double Drive Single Arched Gate		73021670
6' x 12' Granite Double Drive Estate Arched Gate		73021671

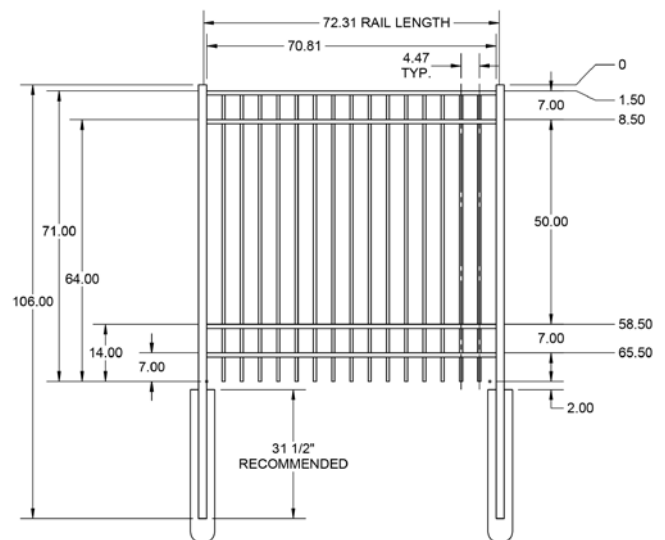
Hinges included with all gates. Latches and drop rods sold separately. (See Hardware box below).

Shaded SKUs = QuickShip. QuickShip available in Black only. Applies to: Fence Panels; Line, Corner, End and Gate Posts; and 4' and 5' Wide Gates.



Hardware:	Black	
	QTY	SKU
Gravity Latch		73002252
Locking Gravity Latch 2-Sided Key Entry		73024418
Heavy-Duty Drop Rod — 24"		73014305
Locking Pool Safety Latch		73050191
Compact Locking Pool Safety Latch		73050192

Accessories and Hardware can be found on pages 54 —57. Gate Information can be found on pages 59 —62.



Dealer Info:



HARBOR SERIES	3' X 6' GRANITE	
Description:	Black	
	QTY	SKU
3' x 6' Granite		73008838
2" x 2" x 58" Line Post (F)		73009102
2" x 2" x 58" Corner Post (F)		73009103
2" x 2" x 58" End Post (F)		73009104
2" x 2" x 58" Heavy-Duty Gate Post (F)		73009105
2" x 2" x 58" Blank Post		73009106
3' x 3' Granite Arched Gate		73009455
3' x 3' Granite Straight Gate		73009458
3' x 4' Granite Arched Gate		73009456
3' x 4' Granite Straight Gate		73009459
3' x 5' Granite Arched Gate		73009457
3' x 5' Granite Straight Gate		73009460
3' x 6' Granite Arched Gate		73015140
3' x 6' Granite Straight Gate		73015144
3' x 6' Granite Double Drive Single Arched Gate		73015368
3' x 8' Granite Double Drive Single Arched Gate		73015568
3' x 10' Granite Double Drive Single Arched Gate		73015832
3' x 12' Granite Double Drive Single Arched Gate		73016088
19 1/2" x 35" Puppy Picket Add-On-Panel		73050575

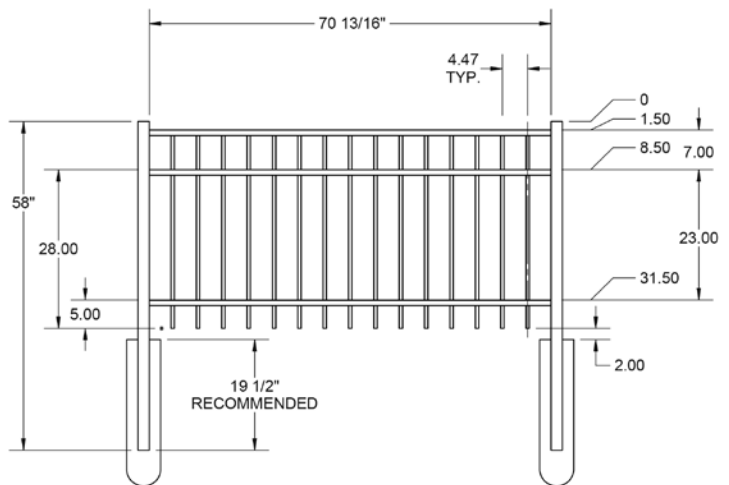
Hinges included with all gates. Latches and drop rods sold separately. (See Hardware box below).

Shaded SKUs = QuickShip. QuickShip available in Black only. Applies to: Fence Panels; Line, Corner, End and Gate Posts; and 4' and 5' Wide Gates.



Hardware:	Black	
	QTY	SKU
Gravity Latch		73002252
Locking Gravity Latch 2-Sided Key Entry		73024418
Heavy Duty Drop Rod — 24"		73014305
Locking Pool Safety Latch		73050191
Compact Locking Pool Safety Latch		73050192

Accessories and Hardware can be found on pages 54 —57. Gate Information can be found on pages 59 —62.



Dealer Info:



HARBOR SERIES	4' X 6' GRANITE						
	Description:	Black		Pewter		Matte Black	
		QTY	SKU	QTY	SKU	QTY	SKU
4' x 6' Granite		73002245		73008867		73020094	
2" x 2" x 70" Line Post (G)		73002255		73009127		73020011	
2" x 2" x 70" Corner Post (G)		73002256		73009128		73020012	
2" x 2" x 70" End Post (G)		73002257		73009129		73020013	
2" x 2" x 70" Heavy-Duty Gate Post (G)		73002258		73009130		73017998	
2" x 2" x 70" Blank Post		73002235		73008754		73020014	
4' x 3' Granite Arched Gate		73009461		73009680		73020269	
4' x 3' Granite Straight Gate		73009464		73009683		73020174	
4' x 4' Granite Arched Gate		73009462		73009681		73020095	
4' x 4' Granite Straight Gate		73009465		73009684		73020096	
4' x 5' Granite Arched Gate		73009463		73009682		73020097	
4' x 5' Granite Straight Gate		73009466		73009685		73020098	
4' x 6' Granite Arched Gate		73015148		73015149		73020270	
4' x 6' Granite Straight Gate		73015152		73015153		73020271	
4' x 6' Granite Double Drive Single Arched Gate		73015372		73015373		73020272	
4' x 8' Granite Double Drive Single Arched Gate		73015572		73015573		73020273	
4' x 8' Granite Double Drive Estate Arched Gate		73015576		73015577		73020274	
4' x 10' Granite Double Drive Single Arched Gate		73015836		73015837		73020275	
4' x 10' Granite Double Drive Estate Arched Gate		73015840		73015841		73020276	
4' x 12' Granite Double Drive Single Arched Gate		73016092		73016093		73020277	
4' x 12' Granite Double Drive Estate Arched Gate		73016096		73016097		73020278	
19 1/2" x 35" Puppy Picket Add-On-Panel		73050575		N/A		N/A	

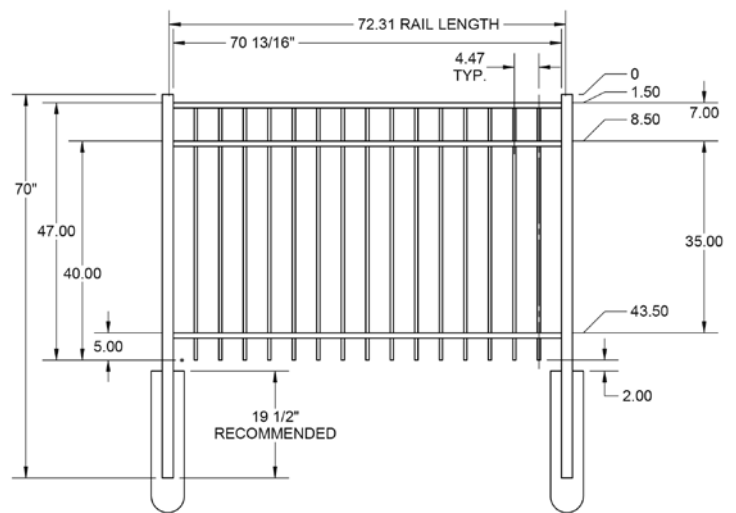
Hinges included with all gates. Latches and drop rods sold separately.
(See Hardware box below).

Shaded SKUs = QuickShip. QuickShip available in Black, Pewter and Matte Black.
Applies to: Fence Panels; Line, Corner, End and Gate Posts; and 4' and 5' Wide Gates.



Hardware:	Black	
	QTY	SKU
Gravity Latch		73002252
Locking Gravity Latch 2-Sided Key Entry		73024418
Heavy-Duty Drop Rod — 24"		73014305
Locking Pool Safety Latch		73050191
Compact Locking Pool Safety Latch		73050192

Accessories and Hardware can be found on pages 54 —57.
Gate Information can be found on pages 59 —62.



Dealer Info:



HARBOR SERIES	4' X 6' GRANITE DROP RAIL	
Description:	Black	
	QTY	SKU
4' x 6' Granite Drop Rail		73017527
2" x 2" x 70" Drop Rail Line Post (S)		73017537
2" x 2" x 70" Drop Rail Corner Post (S)		73017539
2" x 2" x 70" Drop Rail End Post (S)		73017538
2" x 2" x 70" Drop Rail Gate Post (S)		73017540
2" x 2" x 70" Blank Post		73002235
4' x 4' Granite Drop Rail Straight Gate		73017528
4' x 4' Granite Drop Rail Arched Gate		73017529
4' x 5' Granite Drop Rail Straight Gate		73017530
4' x 5' Granite Drop Rail Arched Gate		73017531
19½" x 35" Puppy Picket Add-On-Panel		73050575

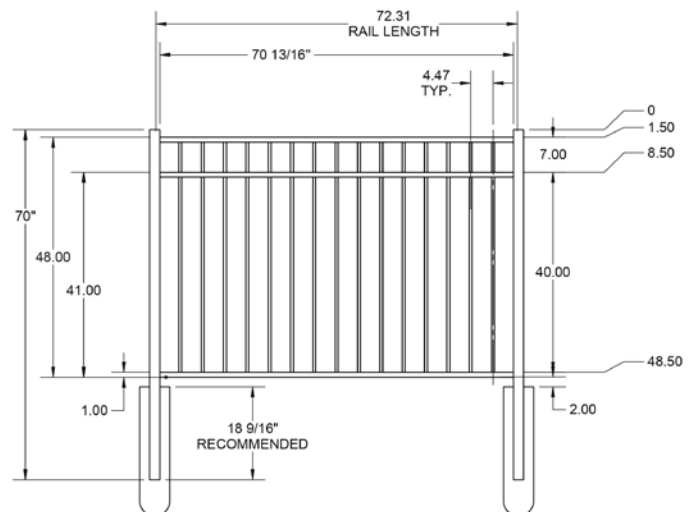
Hinges included with all gates. Latches and drop rods sold separately. (See Hardware box below).

Shaded SKUs = QuickShip. QuickShip available in Black only. Applies to: Fence Panels; Line, Corner, End and Gate Posts; and 4' and 5' Wide Gates.



Hardware:	Black	
	QTY	SKU
Gravity Latch		73002252
Locking Gravity Latch 2-Sided Key Entry		73024418
Heavy Duty Drop Rod — 24"		73014305
Locking Pool Safety Latch		73050191
Compact Locking Pool Safety Latch		73050192

Accessories and Hardware can be found on pages 54 –57. Gate Information can be found on pages 59 –62.



Dealer Info:



HARBOR SERIES	4½' X 6' GRANITE DROP RAIL				
	Description:	Black		Pewter	
		QTY	SKU	QTY	SKU
4½' x 6' Granite Drop Rail		73002356		73008703	
2" x 2" x 82" Line Post (H)		73002387		73008714	
2" x 2" x 82" Corner Post (H)		73002380		73008715	
2" x 2" x 82" End Post (H)		73002383		73008716	
2" x 2" x 82" Heavy-Duty Gate Post (H)		73002385		73008717	
2" x 2" x 82" Blank Post		73008755		73008756	
4½' x 3' Granite Arched Gate		73009467		73009686	
4½' x 3' Granite Straight Gate		73009470		73009689	
4½' x 4' Granite Arched Gate		73009468		73009687	
4½' x 4' Granite Straight Gate		73009471		73009690	
4½' x 5' Granite Arched Gate		73009469		73009688	
4½' x 5' Granite Straight Gate		73009472		73009691	
4½' x 6' Granite Arched Gate		73015156		73015157	
4½' x 6' Granite Straight Gate		73015160		73015161	
4½' x 6' Granite Double Drive Single Arched Gate		73015376		73015377	
4½' x 8' Granite Double Drive Single Arched Gate		73015580		73015581	
4½' x 8' Granite Double Drive Estate Arched Gate		73015584		73015585	
4½' x 10' Granite Double Drive Single Arched Gate		73015844		73015845	
4½' x 10' Granite Double Drive Estate Arched Gate		73015848		73015849	
4½' x 12' Granite Double Drive Single Arched Gate		73016100		73016101	
4½' x 12' Granite Double Drive Estate Arched Gate		73016104		73016105	
19½" x 35" Puppy Picket Add-On-Panel		73050575		N/A	

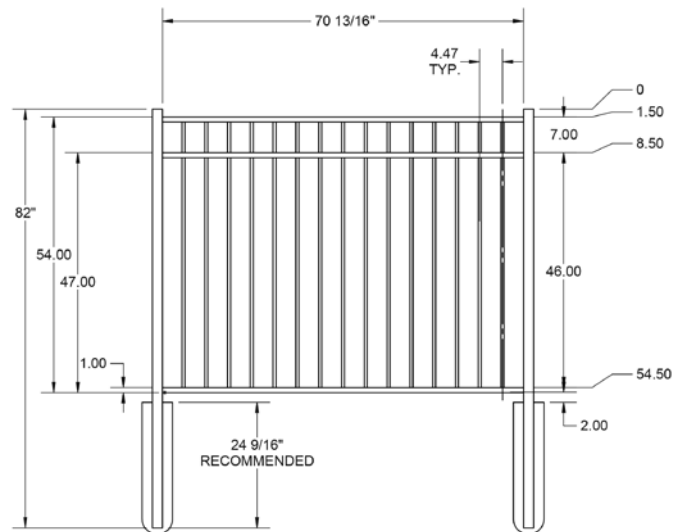
Hinges included with all gates. Latches and drop rods sold separately. (See Hardware box below).

Shaded SKUs = QuickShip. QuickShip available in Black and Pewter. Applies to: Fence Panels; Line, Corner, End and Gate Posts; and 4' and 5' Wide Gates.



Hardware:	Black	
	QTY	SKU
Gravity Latch		73002252
Locking Gravity Latch 2-Sided Key Entry		73024418
Heavy-Duty Drop Rod — 24"		73014305
Locking Pool Safety Latch		73050191
Compact Locking Pool Safety Latch		73050192

Accessories and Hardware can be found on pages 54 –57. Gate Information can be found on pages 59 –62.



Dealer Info:



HARBOR SERIES	5' X 6' GRANITE						
	Description:	Black		Matte Black		Pewter	
		QTY	SKU	QTY	SKU	QTY	SKU
5' x 6' Granite		73002246		73020104		73008868	
2" x 2" x 88" Line Post (I)		73002265		73020019		73009131	
2" x 2" x 88" Corner Post (I)		73002266		73020020		73009132	
2" x 2" x 88" End Post (I)		73002267		73020021		73009133	
2" x 2" x 88" Heavy-Duty Gate Post (I)		73002268		73020000		73009134	
2" x 2" x 88" Blank Post		73002237		73020022		73009140	
5' x 3' Granite Arched Gate		73009473		73020289		73009692	
5' x 3' Granite Straight Gate		73009476		73020290		73009695	
5' x 4' Granite Arched Gate		73009474		73020105		73009693	
5' x 4' Granite Straight Gate		73009477		73020106		73009696	
5' x 5' Granite Arched Gate		73009475		73020107		73009694	
5' x 5' Granite Straight Gate		73009478		73020108		73009697	
5' x 6' Granite Arched Gate		73015164		73020291		73015165	
5' x 6' Granite Straight Gate		73015168		73020292		73015169	
5' x 6' Granite Double Drive Single Arched Gate		73015380		73020293		73015381	
5' x 8' Granite Double Drive Single Arched Gate		73015588		73020294		73015589	
5' x 8' Granite Double Drive Estate Arched Gate		73015592		73020295		73015593	
5' x 10' Granite Double Drive Single Arched Gate		73015852		73020296		73015853	
5' x 10' Granite Double Drive Estate Arched Gate		73015856		73020297		73015837	
5' x 12' Granite Double Drive Single Arched Gate		73016108		73020298		73016109	
5' x 12' Granite Double Drive Estate Arched Gate		73016112		73020299		73016113	
19½" x 35" Puppy Picket Add-On-Panel		73050575		N/A		N/A	

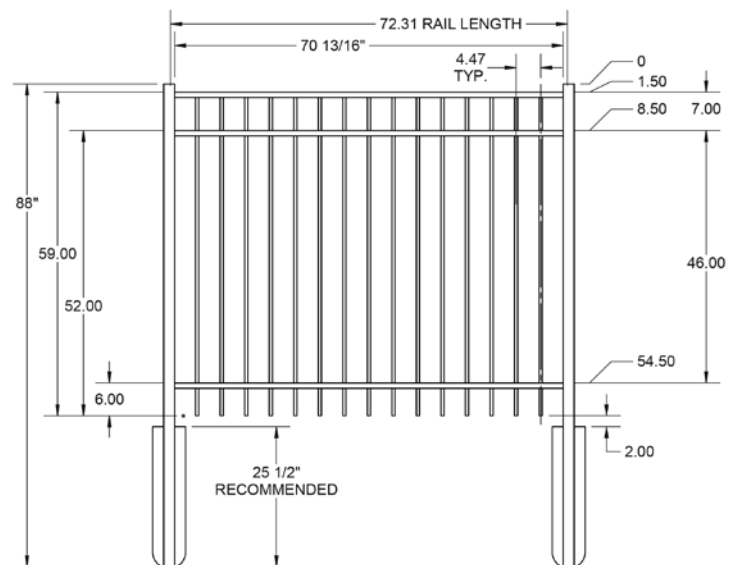
Hinges included with all gates. Latches and drop rods sold separately.
(See Hardware box below).

Shaded SKUs = QuickShip. QuickShip available in Black, Matte Black and Pewter.
Applies to: Fence Panels; Line, Corner, End and Gate Posts; and 4' and 5' Wide Gates.



Hardware:	Black	
	QTY	SKU
Gravity Latch		73002252
Locking Gravity Latch 2-Sided Key Entry		73024418
Heavy Duty Drop Rod — 24"		73014305
Locking Pool Safety Latch		73050191
Compact Locking Pool Safety Latch		73050192

Accessories and Hardware can be found on pages 54 –57.
Gate Information can be found on pages 59 –62.



Dealer Info:



HARBOR SERIES	6' X 6' GRANITE	
	Black	
Description:	QTY	SKU
6' x 6' Granite		73002350
2" x 2" x 106" Line Post (J)		73002402
2" x 2" x 106" Corner Post (J)		73002396
2" x 2" x 106" End Post (J)		73002398
2" x 2" x 106" Heavy-Duty Gate Post (J)		73002400
2" x 2" x 106" Blank Post		73002392
6' x 3' Granite Arched Gate		73009479
6' x 3' Granite Straight Gate		73009482
6' x 4' Granite Arched Gate		73009480
6' x 4' Granite Straight Gate		73009483
6' x 5' Granite Arched Gate		73009481
6' x 5' Granite Straight Gate		73009484
6' x 6' Granite Arched Gate		73015172
6' x 6' Granite Straight Gate		73015176
6' x 6' Granite Double Drive Single Arched Gate		73015384
6' x 8' Granite Double Drive Single Arched Gate		73015596
6' x 8' Granite Double Drive Estate Arched Gate		73015600
6' x 10' Granite Double Drive Single Arched Gate		73015860
6' x 10' Granite Double Drive Estate Arched Gate		73015864
6' x 12' Granite Double Drive Single Arched Gate		73016116
6' x 12' Granite Double Drive Estate Arched Gate		73016120
19 1/2" x 35" Puppy Picket Add-On-Panel		73050575

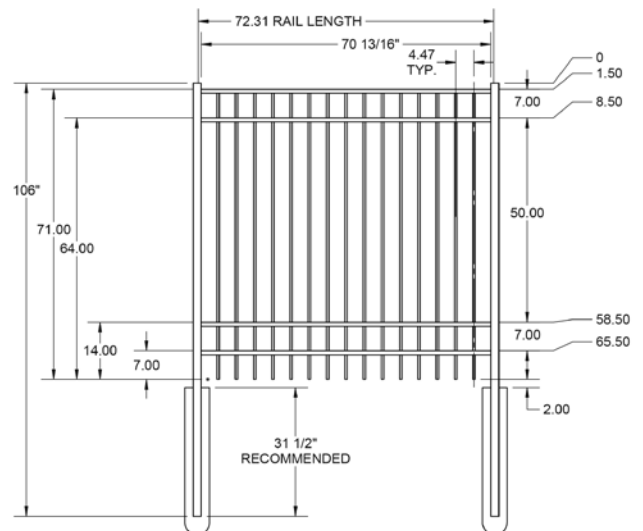
Hinges included with all gates. Latches and drop rods sold separately. (See Hardware box below).

Shaded SKUs = QuickShip. QuickShip available in Black only. Applies to: Fence Panels; Line, Corner, End and Gate Posts; and 4' and 5' Wide Gates.



Hardware:	Black	
	QTY	SKU
Gravity Latch		73002252
Locking Gravity Latch 2-Sided Key Entry		73024418
Heavy-Duty Drop Rod — 24"		73014305
Locking Pool Safety Latch		73050191
Compact Locking Pool Safety Latch		73050192

Accessories and Hardware can be found on pages 54 –57. Gate Information can be found on pages 59 –62.



Dealer Info:



HARBOR SERIES	4' X 6' JASPER	
Description:	Black	
	QTY	SKU
4' x 6' Jasper		73020845
2" x 2" x 70" Line Post (AA)		73020991
2" x 2" x 70" Corner Post (AA)		73020992
2" x 2" x 70" End Post (AA)		73020993
2" x 2" x 70" Heavy-Duty Gate Post (AA)		73020994
2" x 2" x 70" Blank Post		73002235
4' x 4' Jasper Arched Gate		73020846
4' x 4' Jasper Straight Gate		73020847
4' x 5' Jasper Arched Gate		73020848
4' x 5' Jasper Straight Gate		73020849
4' x 6' Jasper Arched Gate		73020878
4' x 6' Jasper Straight Gate		73020879
4' x 8' Jasper Double Drive Single Arched Gate		73020881
4' x 8' Jasper Double Drive Estate Arched Gate		73020882
4' x 10' Jasper Double Drive Single Arched Gate		73020883
4' x 10' Jasper Double Drive Estate Arched Gate		73020884
4' x 12' Jasper Double Drive Single Arched Gate		73020885
4' x 12' Jasper Double Drive Estate Arched Gate		73020886
19½" x 35" Puppy Picket Add-On-Panel		73050575

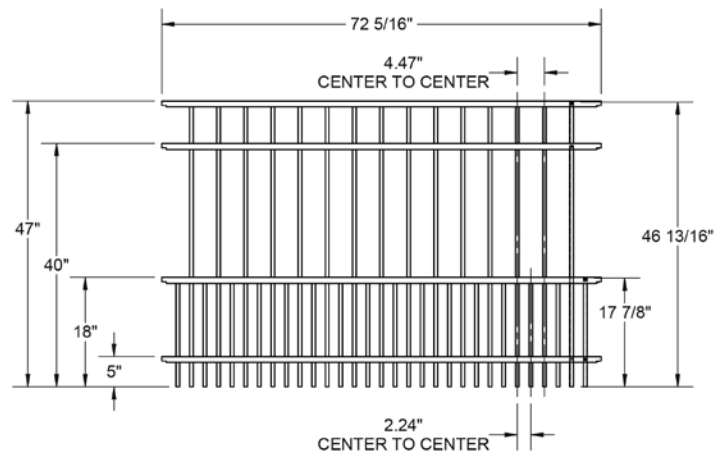
Hinges included with all gates. Latches and drop rods sold separately. (See Hardware box below).

Shaded SKUs = QuickShip. QuickShip available in Black only. Applies to: Fence Panels; Line, Corner, End and Gate Posts; and 4' and 5' Wide Gates.



Hardware:	Black	
	QTY	SKU
Gravity Latch		73002252
Locking Gravity Latch 2-Sided Key Entry		73024418
Heavy Duty Drop Rod — 24"		73014305
Locking Pool Safety Latch		73050191
Compact Locking Pool Safety Latch		73050192

Accessories and Hardware can be found on pages 54 —57. Gate Information can be found on pages 59 —62.



Dealer Info:



HARBOR SERIES	5' X 6' JASPER	
Description:	Black	
	QTY	SKU
5' x 6' Jasper		73020855
2" x 2" x 88" Line Post (AB)		73020999
2" x 2" x 88" Corner Post (AB)		73021000
2" x 2" x 88" End Post (AB)		73021001
2" x 2" x 88" Heavy-Duty Gate Post (AB)		73021002
2" x 2" x 88" Blank Post		73002237
5' x 4' Jasper Arched Gate		73020856
5' x 4' Jasper Straight Gate		73020857
5' x 5' Jasper Arched Gate		73020858
5' x 5' Jasper Straight Gate		73020859
5' x 6' Jasper Arched Gate		73020916
5' x 6' Jasper Straight Gate		73020917
5' x 8' Jasper Double Drive Single Arched Gate		73020919
5' x 8' Jasper Double Drive Estate Arched Gate		73020920
5' x 10' Jasper Double Drive Single Arched Gate		73020921
5' x 10' Jasper Double Drive Estate Arched Gate		73020922
5' x 12' Jasper Double Drive Single Arched Gate		73020923
5' x 12' Jasper Double Drive Estate Arched Gate		73020924
19½" x 35" Puppy Picket Add-On-Panel		73050575

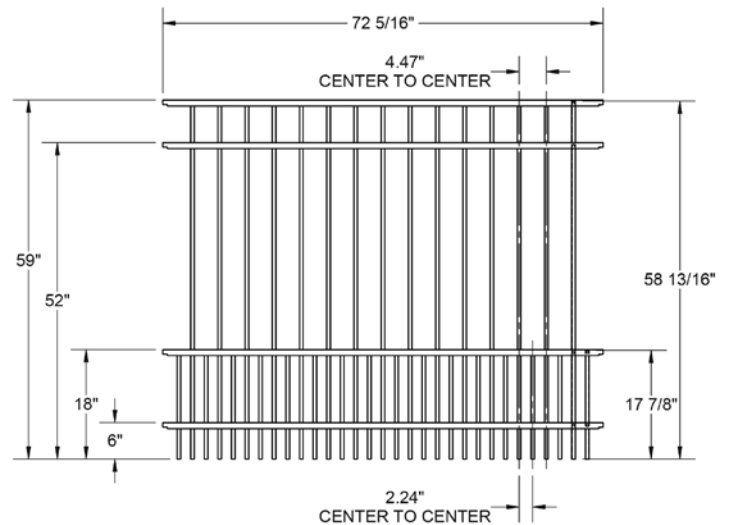
Hinges included with all gates. Latches and drop rods sold separately.
(See Hardware box below).

Shaded SKUs = QuickShip. QuickShip available in Black only.
Applies to: Fence Panels; Line, Corner, End and Gate Posts; and 4' and 5' Wide Gates.



Hardware:	Black	
	QTY	SKU
Gravity Latch		73002252
Locking Gravity Latch 2-Sided Key Entry		73024418
Heavy-Duty Drop Rod — 24"		73014305
Locking Pool Safety Latch		73050191
Compact Locking Pool Safety Latch		73050192

Accessories and Hardware can be found on pages 54 —57.
Gate Information can be found on pages 59 —62.



Dealer Info:



HAVEN SERIES	4' X 8' MARBLE	
Description:	Black	
	QTY	SKU
4' x 8' Marble		73008961
2½" x 2½" x 70"x 70" Line Post (AL)		73009232
2½" x 2½" x 70"x 70" Corner Post (AL)		73009233
2½" x 2½" x 70"x 70" End Post (AL)		73009234
2½" x 2½" x 70" Heavy-Duty Gate Post (C)		73009234
2½" x 2½" x 70" Blank Post		73002235
4' x 3' Marble Arched Gate		73010242
4' x 3' Marble Straight Gate		73010244
4' x 4' Marble Arched Gate		73010243
4' x 4' Marble Straight Gate		73010246
4' x 4' Marble Arched Gate		73010244
4' x 5' Marble Straight Gate		73010247
4' x 6' Marble Arched Gate		73016244
4' x 6' Marble Straight Gate		73016248
4' x 6' Marble Double Drive Single Arched Gate		73016642
4' x 7' Marble Arched Gate		73016380
4' x 7' Marble Straight Gate		73016384
4' x 8' Marble Arched Gate		73016416
4' x 8' Marble Straight Gate		73016520
4' x 8' Marble Double Drive Single Arched Gate		73016724
4' x 8' Marble Double Drive Estate Arched Gate		73016728
4' x 10' Marble Double Drive Single Arched Gate		73016868
4' x 10' Marble Double Drive Estate Arched Gate		73016872
4' x 12' Marble Double Drive Single Arched Gate		73017012
4' x 12' Marble Double Drive Estate Arched Gate		73017016
4' x 14' Marble Double Drive Single Arched Gate		73017148
4' x 14' Marble Double Drive Estate Arched Gate		73017152
4' x 16' Marble Double Drive Single Arched Gate		73017284
4' x 16' Marble Double Drive Estate Arched Gate		73017288

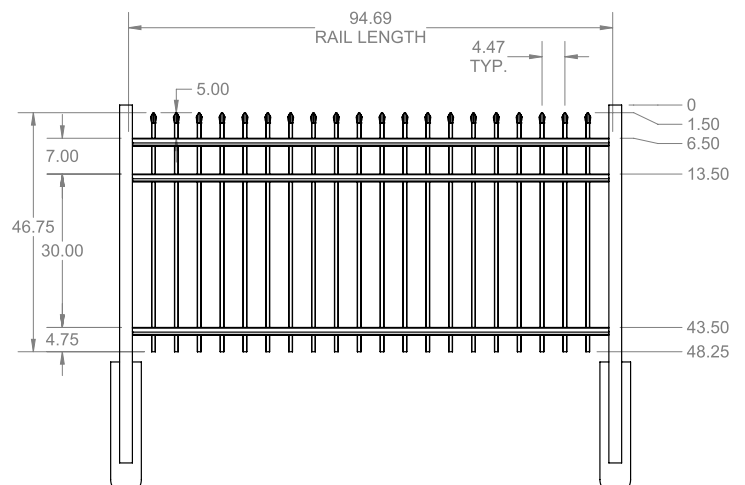
Hinges included with all gates. Latches and drop rods sold separately.
(See Hardware box below).

Shaded SKUs = QuickShip. QuickShip available in Black only.
Applies to: Fence Panels; Line, Corner, End and Gate Posts; and 4' and 5' Wide Gates.



Hardware:	Black	
	QTY	SKU
Gravity Latch		73002252
Locking Gravity Latch 2-Sided Key Entry		73024418
Heavy Duty Drop Rod — 24"		73014305
Locking Pool Safety Latch		73050191
Compact Locking Pool Safety Latch		73050192

Accessories and Hardware can be found on pages 54 —57.
Gate Information can be found on pages 59 —62.



Dealer Info:



HAVEN SERIES	5' X 8' MARBLE	
Description:	Black	
	QTY	SKU
5' x 8' Marble		73003515
2½" x 2½" x 88" Line Post (C)		73003517
2½" x 2½" x 88" Corner Post (C)		73003524
2½" x 2½" x 88" End Post (C)		73003525
2½" x 2½" x 88" Heavy-Duty Gate Post (C)		73003958
2½" x 2½" x 88" Blank Post		73003646
5' x 3' Marble Arched Gate		73010248
5' x 3' Marble Straight Gate		73010251
5' x 4' Marble Arched Gate		73010249
5' x 4' Marble Straight Gate		73010252
5' x 5' Marble Arched Gate		73010250
5' x 5' Marble Straight Gate		73010253
5' x 6' Marble Arched Gate		73016252
5' x 6' Marble Straight Gate		73016256
5' x 6' Marble Double Drive Single Arched Gate		73016656
5' x 7' Marble Arched Gate		73016388
5' x 7' Marble Straight Gate		73016392
5' x 8' Marble Arched Gate		73016524
5' x 8' Marble Straight Gate		73016528
5' x 8' Marble Double Drive Single Arched Gate		73016732
5' x 8' Marble Double Drive Estate Arched Gate		73016736
5' x 10' Marble Double Drive Single Arched Gate		73016876
5' x 10' Marble Double Drive Estate Arched Gate		73016880
5' x 12' Marble Double Drive Single Arched Gate		73017020
5' x 12' Marble Double Drive Estate Arched Gate		73017024
5' x 14' Marble Double Drive Single Arched Gate		73017156
5' x 14' Marble Double Drive Estate Arched Gate		73017160
5' x 16' Marble Double Drive Single Arched Gate		73017292
5' x 16' Marble Double Drive Estate Arched Gate		73017296

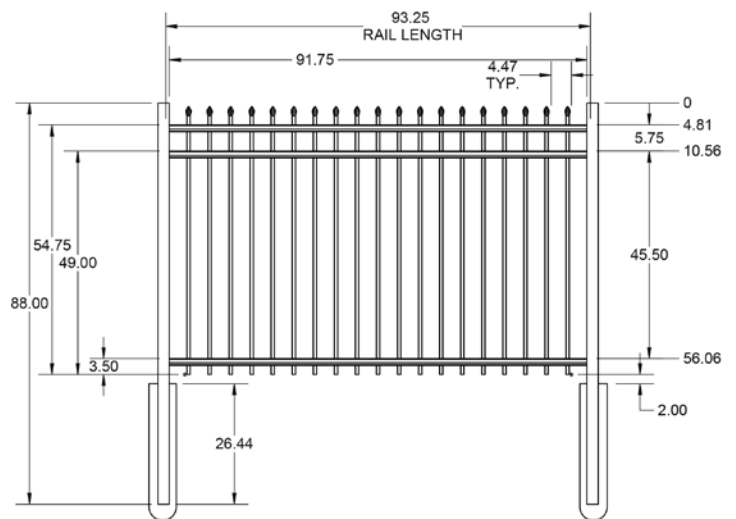
Hinges included with all gates. Latches and drop rods sold separately. (See Hardware box below).

Shaded SKUs = QuickShip. QuickShip available in Black only. Applies to: Fence Panels; Line, Corner, End and Gate Posts; and 4' and 5' Wide Gates.



Hardware:	Black	
	QTY	SKU
Gravity Latch		73002252
Locking Gravity Latch 2-Sided Key Entry		73024418
Heavy-Duty Drop Rod — 24"		73014305
Locking Pool Safety Latch		73050191
Compact Locking Pool Safety Latch		73050192

Accessories and Hardware can be found on pages 54 —57. Gate Information can be found on pages 59 —62.



Dealer Info:



HAVEN SERIES	6' X 8' MARBLE	
Description:	Black	
	QTY	SKU
6' x 8' Marble		73003518
2½" x 2½" x 106" Line Post (M)		73003520
2½" x 2½" x 106" Corner Post (M)		73003526
2½" x 2½" x 106" End Post (M)		73003527
2½" x 2½" x 106" Heavy-Duty Gate Post (M)		73003960
2½" x 2½" x 106" Blank Post		73003644
6' x 3' Marble Arched Gate		73010254
6' x 3' Marble Straight Gate		73010257
6' x 4' Marble Arched Gate		73010255
6' x 4' Marble Straight Gate		73010258
6' x 5' Marble Arched Gate		73010256
6' x 5' Marble Straight Gate		73010259
6' x 6' Marble Arched Gate		73016260
6' x 6' Marble Straight Gate		73016264
6' x 6' Marble Double Drive Single Arched Gate		73016660
6' x 7' Marble Arched Gate		73016396
6' x 7' Marble Straight Gate		73016400
6' x 8' Marble Arched Gate		73016532
6' x 8' Marble Straight Gate		73016536
6' x 8' Marble Double Drive Single Arched Gate		73016740
6' x 8' Marble Double Drive Estate Arched Gate		73016744
6' x 10' Marble Double Drive Single Arched Gate		73016884
6' x 10' Marble Double Drive Estate Arched Gate		73016888
6' x 12' Marble Double Drive Single Arched Gate		73017028
6' x 12' Marble Double Drive Estate Arched Gate		73017032
6' x 14' Marble Double Drive Single Arched Gate		73017164
6' x 14' Marble Double Drive Estate Arched Gate		73017168
6' x 16' Marble Double Drive Single Arched Gate		73017300
6' x 16' Marble Double Drive Estate Arched Gate		73017304

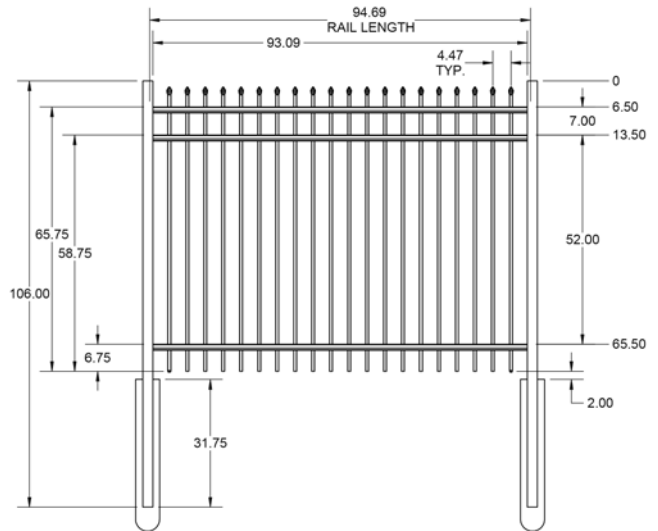
Hinges included with all gates. Latches and drop rods sold separately.
(See Hardware box below).

Shaded SKUs = QuickShip. QuickShip available in Black only.
Applies to: Fence Panels; Line, Corner, End and Gate Posts; and 4' and 5' Wide Gates.



Hardware:	Black	
	QTY	SKU
Gravity Latch		73002252
Locking Gravity Latch 2-Sided Key Entry		73024418
Heavy Duty Drop Rod — 24"		73014305
Locking Pool Safety Latch		73050191
Compact Locking Pool Safety Latch		73050192

Accessories and Hardware can be found on pages 54 —57.
Gate Information can be found on pages 59 —62.



Dealer Info:



HOME SERIES	6' X 6' MARBLE	
Description:	Black	
	QTY	SKU
6' x 6' Marble		73017775
2" x 2" x 106" Line Post (D)		73002410
2" x 2" x 106" Corner Post (D)		73002404
2" x 2" x 106" End Post (D)		73002406
2" x 2" x 106" Heavy-Duty Gate Post (D)		73002408
2" x 2" x 106" Blank Post		73002392
6' x 3' Marble Arched Gate		73021726
6' x 3' Marble Straight Gate		73021727
6' x 4' Marble Arched Gate		73017792
6' x 4' Marble Straight Gate		73017789
6' x 5' Marble Arched Gate		73017810
6' x 5' Marble Straight Gate		73017807
6' x 6' Marble Arched Gate		73021728
6' x 6' Marble Straight Gate		73021729
6' x 6' Marble Double Drive Single Arched Gate		73021730
6' x 8' Marble Double Drive Single Arched Gate		73021731
6' x 8' Marble Double Drive Estate Arched Gate		73021732
6' x 10' Marble Double Drive Single Arched Gate		73021733
6' x 10' Marble Double Drive Estate Arched Gate		73021734
6' x 12' Marble Double Drive Single Arched Gate		73021735
6' x 12' Marble Double Drive Estate Arched Gate		73021736

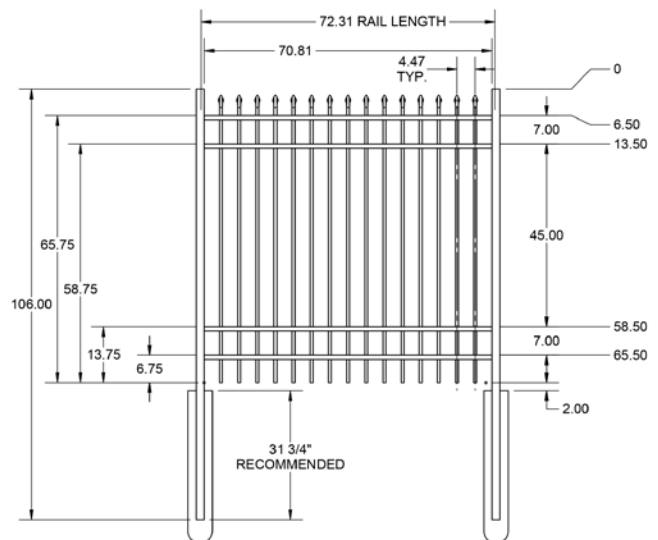
Hinges included with all gates. Latches and drop rods sold separately. (See Hardware box below).

Shaded SKUs = QuickShip. QuickShip available in Black only. Applies to: Fence Panels; Line, Corner, End and Gate Posts; and 4' and 5' Wide Gates.



Hardware:	Black	
	QTY	SKU
Gravity Latch		73002252
Locking Gravity Latch 2-Sided Key Entry		73024418
Heavy-Duty Drop Rod — 24"		73014305
Locking Pool Safety Latch		73050191
Compact Locking Pool Safety Latch		73050192

Accessories and Hardware can be found on pages 54 —57. Gate Information can be found on pages 59 —62.



Dealer Info:



HARBOR SERIES	3' X 6' MARBLE	
Description:	Black	
	QTY	SKU
3' x 6' Marble		73008825
2" x 2" x 58" Line Post (AF)		73009098
2" x 2" x 58" Corner Post (AF)		73009099
2" x 2" x 58" End Post (AF)		73009100
2" x 2" x 58" Heavy-Duty Gate Post (AF)		73009101
2" x 2" x 58" Blank Post		73009106
3' x 3' Marble Arched Gate		73009355
3' x 3' Marble Straight Gate		73009358
3' x 4' Marble Arched Gate		73009356
3' x 4' Marble Straight Gate		73009359
3' x 5' Marble Arched Gate		73009357
3' x 5' Marble Straight Gate		73009360
3' x 6' Marble Arched Gate		73015012
3' x 6' Marble Straight Gate		73015016
3' x 6' Marble Double Drive Single Arched Gate		73015300
3' x 8' Marble Double Drive Single Arched Gate		73015448
3' x 10' Marble Double Drive Single Arched Gate		73015712
3' x 12' Marble Double Drive Single Arched Gate Drop Rail		73015976

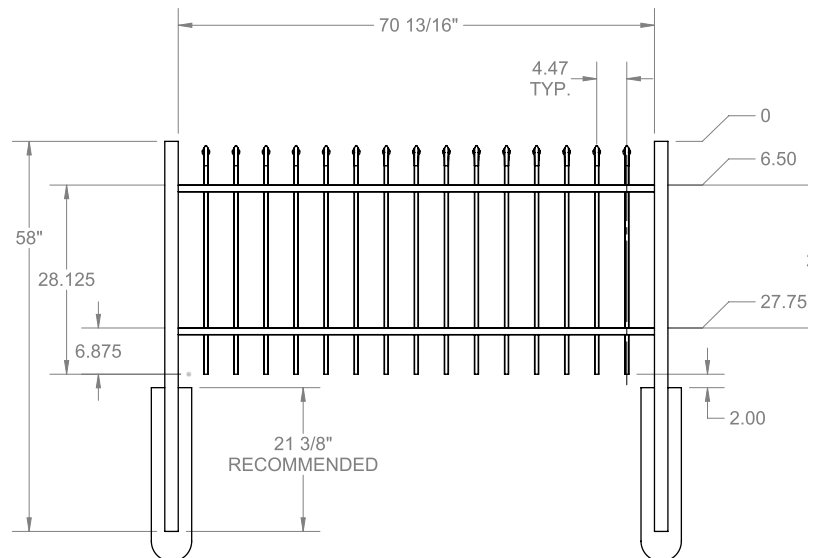
Hinges included with all gates. Latches and drop rods sold separately.
(See Hardware box below).

Shaded SKUs = QuickShip. QuickShip available in Black only.
Applies to: Fence Panels; Line, Corner, End and Gate Posts; and 4' and 5' Wide Gates.



Hardware:	Black	
	QTY	SKU
Gravity Latch		73002252
Locking Gravity Latch 2-Sided Key Entry		73024418
Heavy Duty Drop Rod — 24"		73014305
Locking Pool Safety Latch		73050191
Compact Locking Pool Safety Latch		73050192

Accessories and Hardware can be found on pages 54 —57.
Gate Information can be found on pages 59 —62.



Dealer Info:



Description:	4' X 6' MARBLE	
	Black	
	QTY	SKU
4' x 6' Marble		73002210
2" x 2" x 70" Line Post (B)		73002220
2" x 2" x 70" Corner Post (B)		73002221
2" x 2" x 70" End Post (B)		73002222
2" x 2" x 70" Heavy-Duty Gate Post (B)		73002223
2" x 2" x 70" Blank Post		73002235
4' x 3' Marble Arched Gate		73009361
4' x 3' Marble Straight Gate		73009364
4' x 4' Marble Arched Gate		73009362
4' x 4' Marble Straight Gate		73009365
4' x 5' Marble Arched Gate		73009363
4' x 5' Marble Straight Gate		73009366
4' x 6' Marble Arched Gate		73015020
4' x 6' Marble Straight Gate		73015024
4' x 6' Marble Double Drive Single Arch Gate		73015304
4' x 8' Marble Double Drive Single Arch Gate		73015452
4' x 8' Marble Double Drive Estate Arch Gate		73015456
4' x 10' Marble Double Drive Single Arch Gate		73015716
4' x 10' Marble Double Drive Estate Arch Gate		73015720
4' x 12' Marble Double Drive Single Arch Gate		73015980
4' x 12' Marble Double Drive Estate Arch Gate		73015984
19½" x 35" Puppy Picket Add-On-Panel		73050575

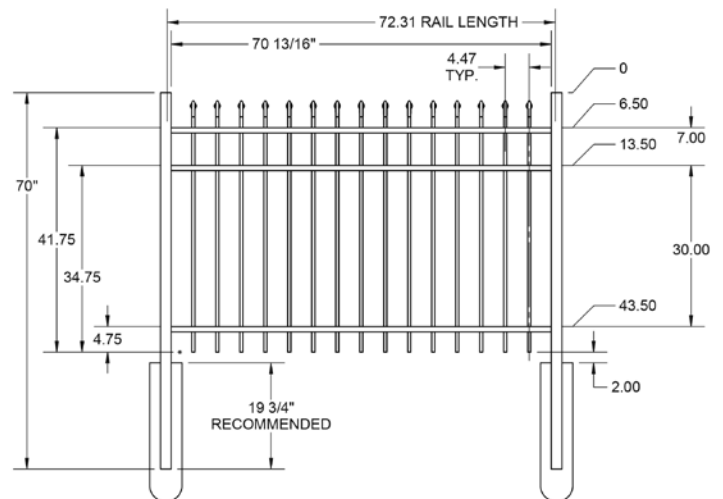
Hinges included with all gates. Latches and drop rods sold separately.
(See Hardware box below).

Shaded SKUs = QuickShip. QuickShip available in Black only.
Applies to: Fence Panels; Line, Corner, End and Gate Posts; and 4' and 5' Wide Gates.



Hardware:	Black	
	QTY	SKU
Gravity Latch		73002252
Locking Gravity Latch 2-Sided Key Entry		73024418
Heavy-Duty Drop Rod — 24"		73014305
Locking Pool Safety Latch		73050191
Compact Locking Pool Safety Latch		73050192

Accessories and Hardware can be found on pages 54 —57.
Gate Information can be found on pages 59 —62.



Dealer Info:



HARBOR SERIES	5' X 6' MARBLE	
Description:	Black	
	QTY	SKU
5' x 6' Marble		73008702
2" x 2" x 88" Line Post (C)		73008706
2" x 2" x 88" Corner Post (C)		73008707
2" x 2" x 88" End Post (C)		73008708
2" x 2" x 88" Heavy-Duty Gate Post (C)		73008709
2" x 2" x 88" Blank Post		73002237
5' x 3' Marble Arched Gate		73009367
5' x 3' Marble Straight Gate		73009370
5' x 4' Marble Arched Gate		73009368
5' x 4' Marble Straight Gate		73009371
5' x 5' Marble Arched Gate		73009369
5' x 5' Marble Straight Gate		73009372
5' x 6' Marble Arched Gate		73015028
5' x 6' Marble Straight Gate		73015032
5' x 6' Marble Double Drive Single Arch Gate		73015308
5' x 8' Marble Double Drive Single Arch Gate		73015460
5' x 8' Marble Double Drive Estate Arch Gate		73015464
5' x 10' Marble Double Drive Single Arch Gate		73015724
5' x 10' Marble Double Drive Estate Arch Gate		73015728
5' x 12' Marble Double Drive Single Arch Gate		73015988
5' x 12' Marble Double Drive Estate Arch Gate		73015992

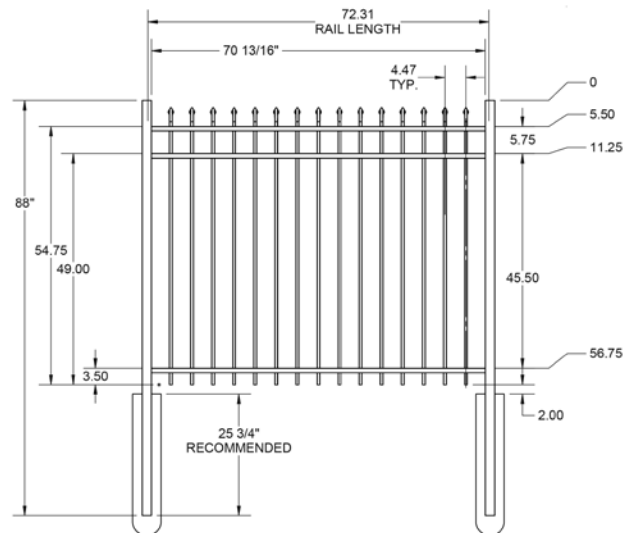
Hinges included with all gates. Latches and drop rods sold separately. (See Hardware box below).

Shaded SKUs = QuickShip. QuickShip available in Black only. Applies to: Fence Panels; Line, Corner, End and Gate Posts; and 4' and 5' Wide Gates.



Hardware:	Black	
	QTY	SKU
Gravity Latch		73002252
Locking Gravity Latch 2-Sided Key Entry		73024418
Heavy Duty Drop Rod — 24"		73014305
Locking Pool Safety Latch		73050191
Compact Locking Pool Safety Latch		73050192

Accessories and Hardware can be found on pages 54 –57. Gate Information can be found on pages 59 –62.



Dealer Info:



HARBOR SERIES	6' X 6' MARBLE	
Description:	Black	
	QTY	SKU
6' x 6' Marble		73002352
2" x 2" x 106" Line Post (D)		73002410
2" x 2" x 106" Corner Post (D)		73002404
2" x 2" x 106" End Post (D)		73002406
2" x 2" x 106" Heavy-Duty Gate Post (D)		73002408
2" x 2" x 106" Blank Post		73002392
6' x 3' Marble Arched Gate		73009373
6' x 3' Marble Straight Gate		73009376
6' x 4' Marble Arched Gate		73009374
6' x 4' Marble Straight Gate		73009377
6' x 5' Marble Arched Gate		73009375
6' x 5' Marble Straight Gate		73009378
6' x 6' Marble Arched Gate		73015036
6' x 6' Marble Straight Gate		73015040
6' x 6' Marble Double Drive Single Arched Gate		73015312
6' x 8' Marble Double Drive Single Arched Gate		73015468
6' x 8' Marble Double Drive Estate Arched Gate		73015472
6' x 10' Marble Double Drive Single Arched Gate		73015732
6' x 10' Marble Double Drive Estate Arched Gate		73015736
6' x 12' Marble Double Drive Single Arched Gate		73015996
6' x 12' Marble Double Drive Estate Arched Gate		73016000
19½" x 35" Puppy Picket Add-On-Panel		73050575

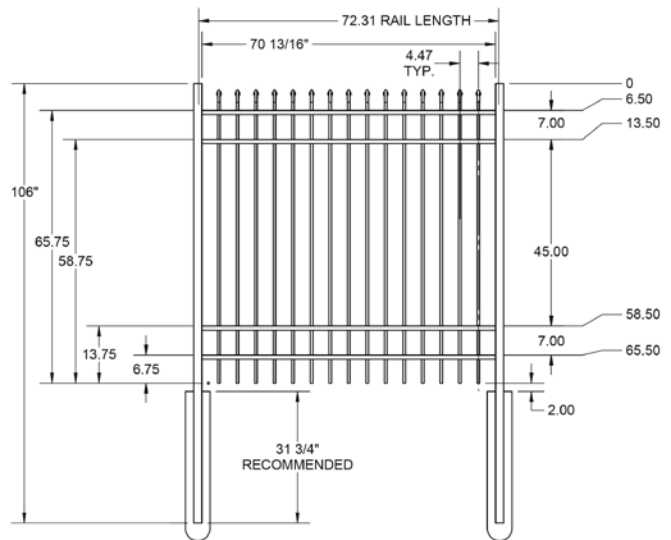
Hinges included with all gates. Latches and drop rods sold separately. (See Hardware box below).

Shaded SKUs = QuickShip. QuickShip available in Black only. Applies to: Fence Panels; Line, Corner, End and Gate Posts; and 4' and 5' Wide Gates.



Hardware:	Black	
	QTY	SKU
Gravity Latch		73002252
Locking Gravity Latch 2-Sided Key Entry		73024418
Heavy-Duty Drop Rod — 24"		73014305
Locking Pool Safety Latch		73050191
Compact Locking Pool Safety Latch		73050192

Accessories and Hardware can be found on pages 54 —57. Gate Information can be found on pages 59 —62.



Dealer Info:



HARBOR SERIES	4' X 6' TRAVERTINE	
Description:	Black	
	QTY	SKU
4' x 6' Travertine		73008840
2" x 2" x 70" Line Post (G)		73002255
2" x 2" x 70" Corner Post (G)		73002256
2" x 2" x 70" End Post (G)		73002257
2" x 2" x 70" Heavy-Duty Gate Post (G)		73002258
2" x 2" x 70" Blank Post		73002235
4' x 3' Travertine Arched Gate		73009491
4' x 3' Travertine Straight Gate		73009494
4' x 4' Travertine Arched Gate		73009492
4' x 4' Travertine Straight Gate		73009495
4' x 5' Travertine Arched Gate		73009493
4' x 5' Travertine Straight Gate		73009496
4' x 6' Travertine Arched Gate		73015188
4' x 6' Travertine Straight Gate		73015192
4' x 6' Travertine Double Drive Single Arched Gate		73015392
4' x 8' Travertine Double Drive Single Arched Gate		73015608
4' x 8' Travertine Double Drive Estate Arched Gate		73015612
4' x 10' Travertine Double Drive Single Arched Gate		73015872
4' x 10' Travertine Double Drive Estate Arched Gate		73015876
4' x 12' Travertine Double Drive Single Arched Gate		73016128
4' x 12' Travertine Double Drive Estate Arched Gate		73016132

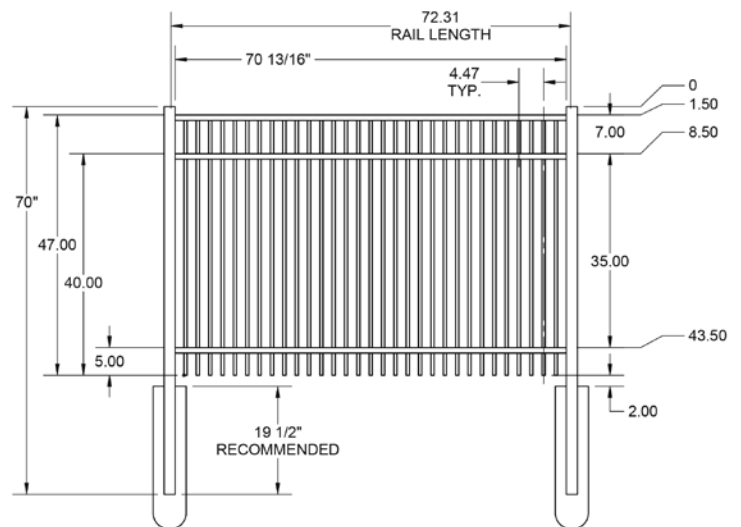
Hinges included with all gates. Latches and drop rods sold separately. (See Hardware box below).

Shaded SKUs = QuickShip. QuickShip available in Black only. Applies to: Fence Panels; Line, Corner, End and Gate Posts; and 4' and 5' Wide Gates.



Hardware:	Black	
	QTY	SKU
Gravity Latch		73002252
Locking Gravity Latch 2-Sided Key Entry		73024418
Heavy Duty Drop Rod — 24"		73014305
Locking Pool Safety Latch		73050191
Compact Locking Pool Safety Latch		73050192

Accessories and Hardware can be found on pages 54 –57. Gate Information can be found on pages 59 –62.



Dealer Info:



HARBOR SERIES	4 1/2' X 6' TRAVERTINE DROP RAIL	
Description:	Black	
	QTY	SKU
4 1/2' x 6' Travertine Drop Rail		73008841
2" x 2" x 82" Line Post (FB)		73002387
2" x 2" x 82" Corner Post (FB)		73002380
2" x 2" x 82" End Post (FB)		73002383
2" x 2" x 82" Heavy-Duty Gate Post (FB)		73002385
2" x 2" x 82" Blank Post		73008755
4 1/2' x 3' Travertine Drop Rail Arched Gate		73009497
4 1/2' x 3' Travertine Drop Rail Straight Gate		73009500
4 1/2' x 4' Travertine Drop Rail Arched Gate		73009498
4 1/2' x 4' Travertine Drop Rail Straight Gate		73009501
4 1/2' x 5' Travertine Drop Rail Arched Gate		73009499
4 1/2' x 5' Travertine Drop Rail Straight Gate		73009502
4 1/2' x 6' Travertine Drop Rail Arched Gate		73015196
4 1/2' x 6' Travertine Drop Rail Straight Gate		73015200
4 1/2' x 6' Travertine Drop Rail Single Double Drive Gate		73015396
4 1/2' x 8' Travertine Drop Rail Single Double Drive Arched Gate		73015616
4 1/2' x 8' Travertine Drop Rail Double Drive Estate Arched Gate		73015620
4 1/2' x 10' Travertine Drop Rail Double Drive Single Arched Gate		73015880
4 1/2' x 10' Travertine Drop Rail Double Drive Estate Arched Gate		73015884
4 1/2' x 12' Travertine Drop Rail Double Drive Single Arched Gate		73016136
4 1/2' x 12' Travertine Drop Rail Double Drive Estate Arched Gate		73016140

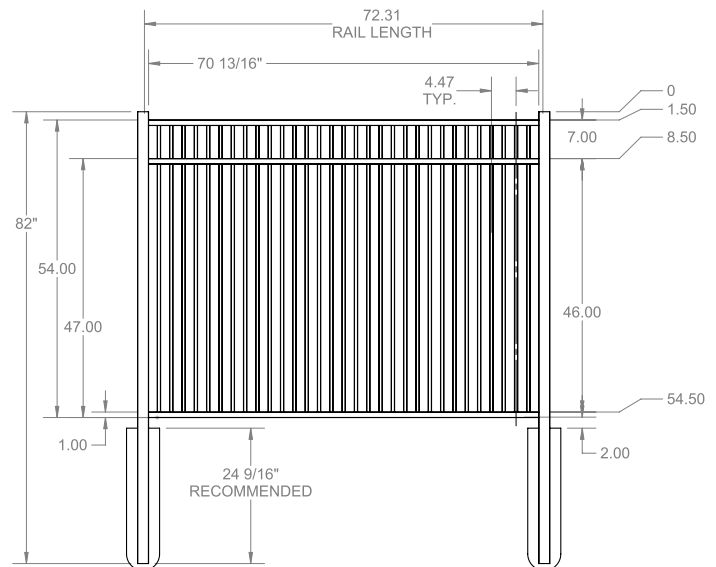
Hinges included with all gates. Latches and drop rods sold separately.
(See Hardware box below).

Shaded SKUs = QuickShip. QuickShip available in Black only.
Applies to: Fence Panels; Line, Corner, End and Gate Posts; and 4' and 5' Wide Gates.



Hardware:	Black	
	QTY	SKU
Gravity Latch		73002252
Locking Gravity Latch 2-Sided Key Entry		73024418
Heavy-Duty Drop Rod — 24"		73014305
Locking Pool Safety Latch		73050191
Compact Locking Pool Safety Latch		73050192

Accessories and Hardware can be found on pages 54 —57.
Gate Information can be found on pages 59 —62.



Dealer Info:



POST CAPS

Description:	Black		Pewter		Matte Black	
	QTY	SKU	QTY	SKU	QTY	SKU
2½" Pyramid Cap		73010704		73010710		73020517
2½" Ball Cap		73010707		73010713		73020518
2½" Solar Cap		73010671		N/A		N/A
2" Pyramid Cap		73010669		73010676		73020398
3" Pyramid Cap		73017937		73017943		73032453
4" Pyramid Cap		73017941		73017939		73032454
6" Pyramid Cap		73017942		73017946		73032455
2" Ball Cap		73010672		73010679		73020399
3" Ball Cap		73022050		73043909		73043940
4" Ball Cap		73022539		73043932		73043933
6" Ball Cap		73022908		73043934		73043935
2" Solar Cap		73010671		N/A		N/A

- ❗ 2½" posts and post hardware can be used with Haven Series panels.
 2" posts and post hardware can be used with Home or Harbor Series panels.

Shaded SKUs = QuickShip.

BRACKETS

Description:	Black		Pewter		Matte Black	
	QTY	SKU	QTY	SKU	QTY	SKU
Haven Series Wall Mount Bracket (3 Pack)		73013015		N/A		N/A
Haven Series Angle Bracket (3 Pack)		73013020		N/A		N/A
Home & Harbor Series Wall Mount Bracket (3 Pack)		73013011		73013012		73020515
Home & Harbor Series Angle Bracket (3 Pack)		73002241		73003964		73020514

Shaded SKUs = QuickShip.

SURFACE MOUNTS

Description:	Black		Pewter		Matte Black	
	QTY	SKU	QTY	SKU	QTY	SKU
2" Surface Mount and Cover		73045677		73045679		73045678
2½" Surface Mount and Cover		73045685		73045687		73045686

Shaded SKUs = QuickShip.

FINIALS & ACCESSORIES

Description:	Black		Pewter		Matte Black		Gold	
	QTY	SKU	QTY	SKU	QTY	SKU	QTY	SKU
¾" Butterfly Scrolls		73022611		73045743		73045744		73022613
⅝" Butterfly Scrolls		73022623		73012673		73020525		73022625
⅝" Rings (6' Kit)		73017820		73017818		73020526		N/A
19½" x 35" Puppy Picket Add-On-Panel		73050575		N/A		N/A		N/A

- ❗ ¾" accessories can be used with Haven or Home Series panels.
 ⅝" accessories can be used with Harbor Series panels.

Shaded SKUs = QuickShip.

HEAVY-DUTY BLANK POSTS

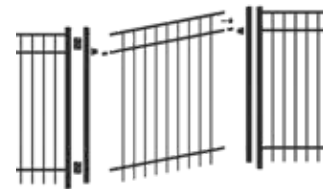
Description:	Black		Pewter		Matte Black	
	QTY	SKU	QTY	SKU	QTY	SKU
2" x 2" x 58" Heavy-Duty Blank Post		73012606		73012612		73042562
2" x 2" x 70" Heavy-Duty Blank Post		73012601		73012613		73020531
2" x 2" x 82" Heavy-Duty Blank Post		73012602		73012624		73020532
2" x 2" x 88" Heavy-Duty Blank Post		73012603		73012617		73020533
2" x 2" x 106" Heavy-Duty Blank Post		73012604		73012610		73020534
2½" x 2½" x 70" Heavy-Duty Blank Post		73012607		73012614		73020535
2½" x 2½" x 82" Heavy-Duty Blank Post		73012608		73012616		73020536
2½" x 2½" x 88" Heavy-Duty Blank Post		73012609		73012618		73020537
2½" x 2½" x 106" Heavy-Duty Blank Post		73012605		73012611		73020538
3" x 3" x 70" Heavy-Duty Blank Post		73012962		73012966		73020147
3" x 3" x 82" Heavy-Duty Blank Post		73012963		73012967		73020148
3" x 3" x 88" Heavy-Duty Blank Post		73012964		73012968		73020149
3" x 3" x 106" Heavy-Duty Blank Post		73012965		73012969		73020150
4" x 4" x 70" Heavy-Duty Blank Post		73012977		73012978		73020151
4" x 4" x 82" Heavy-Duty Blank Post		73012983		73012984		73020152
4" x 4" x 88" Heavy-Duty Blank Post		73012987		73012988		73020153
4" x 4" x 106" Heavy-Duty Blank Post		73012991		73012992		73020154
6" x 6" x 70" Heavy-Duty Blank Post		73012995		73012996		73020155
6" x 6" x 82" Heavy-Duty Blank Post		73012999		73013000		73020156
6" x 6" x 88" Heavy-Duty Blank Post		73013003		73013004		73020157
6" x 6" x 106" Heavy-Duty Blank Post		73013007		73013008		73020158

Shaded SKUs = QuickShip.

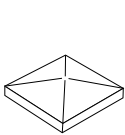
RACKING GATE KIT

Description:	Black	
	QTY	SKU
4' Racking Gate Kit		73050638
4½' Racking Gate Kit		73050585
5' Racking Gate Kit		73050639

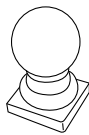
Shaded SKUs = QuickShip.



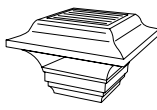
Racking Gate Kit



Pyramid Cap



Ball Cap



Solar Cap



Tri Finial



Quad Finial



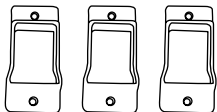
Fleur-de-lis Finial



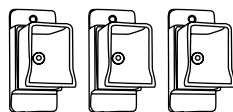
Butterfly Scrolls



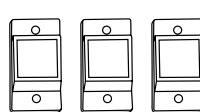
Rings



Haven Series Wall Mount Bracket



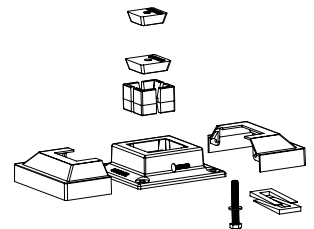
Haven Series Angle Bracket



Home and Harbor Series Wall Mount Bracket



Home and Harbor Series Angle Bracket



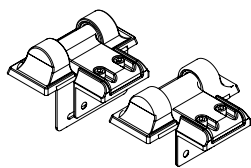
Surface Mount



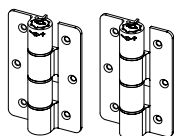
Puppy Picket Add-On-Panel

GATE HARDWARE

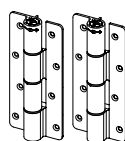
Description:	Black		White		Pewter		Matte Black	
	QTY	SKU	QTY	SKU	QTY	SKU	QTY	SKU
HINGES								
Standard Butterfly Hinge		73025681		73025673		73025671		73025675
Standard Duty Gate Hinge Pair Stainless Steel		73014252		N/A		N/A		73025675
Standard Center Mount Hinge		73024423		73024466		73024468		73024467
Standard Wrap Hinge		73028117		73025512		73025515		N/A
Heavy—Duty Butterfly Hinge		73025668		73025670		73025669		73025674
Heavy—Duty Center Mount Hinge		73024422		73024435		N/A		N/A
Compact Aluminum Butterfly Hinge		73025667		N/A		N/A		N/A
Compact Polymer Butterfly Hinge		73024445		N/A		N/A		N/A
DROP RODS								
Standard Drop Rod — 36"		73014303		73014304		N/A		N/A
Heavy—Duty Drop Rod — 24"		73014305		73014306		73025507		73028058
Heavy—Duty Drop Rod — 36"		73024430		N/A		N/A		N/A
Heavy—Duty Drop Rod — 48"		73025499		73025500		N/A		N/A
Heavy—Duty Drop Rod — 24" Stainless Steel		73024431		N/A		N/A		N/A
Heavy—Duty Drop Rod — 36" Stainless Steel		73024432		N/A		N/A		N/A
Heavy—Duty Drop Rod — 48" Stainless Steel		73025503		73025504		N/A		N/A
LATCHES								
Locking Gravity Latch 1—Sided Key Entry		73050184		N/A		N/A		N/A
Locking Gravity Latch 2—Sided Key Entry		73050187		73050188		73050189		N/A
Locking Pool Safety Latch		73050191		N/A		N/A		N/A
Compact Locking Pool Safety Latch		73050192		N/A		N/A		N/A
Decorative Gravity Latch 1—Sided		73050190		N/A		N/A		N/A
Gravity Latch		73002252		73025491		73025494		73028060
Gravity Latch Stainless Steel		73014251		N/A		N/A		N/A
Flip Latch		73024426		N/A		N/A		N/A
Flip Latch Stainless Steel		73024427		N/A		N/A		N/A
Slide Bar Latch		73024428		N/A		N/A		N/A
Slide Bar Latch Stainless Steel		73024429		N/A		N/A		N/A
Locking Latch 2—Sided Key Entry w/ Handle		73024433		N/A		N/A		N/A
Standard Y-Latch		73024448		N/A		N/A		N/A
ACCESSORIES								
EZ Grip Gate Handle		73024421		73024421		73004738		73024421
Gate Stop		73014321		73025508		73025511		73028059
Touch-Up Paint		73022324		73022328		73012507		73044481
6 Pack Screws		73013024		73013026		73013025		73043908



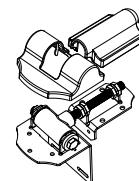
Standard Wrap Hinge



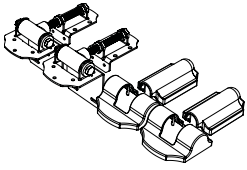
Standard Butterfly Hinge



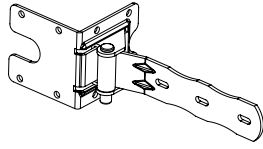
Heavy-Duty Butterfly Hinge



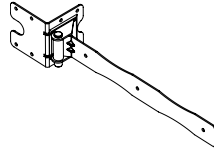
Heavy-Duty Contemporary Hinge Pair



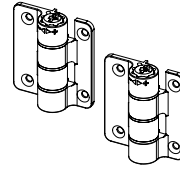
Heavy-Duty Modern Gate Hinge Pair



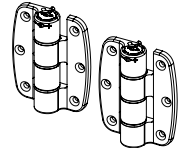
Standard Walk Gate Strap Hinge



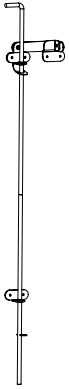
Heavy-Duty Drive Gate Strap Hinge



Compact Aluminum Butterfly Hinge



Compact Polymer Butterfly Hinge



36" Standard Drop Rod



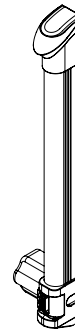
24" Heavy-Duty Drop Rod



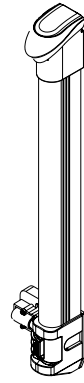
36" Heavy-Duty Drop Rod



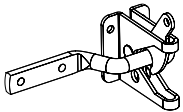
48" Heavy-Duty Drop Rod



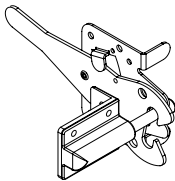
Compact Locking Pool Safety Latch



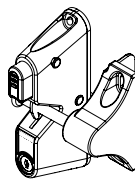
Locking Pool Safety Latch



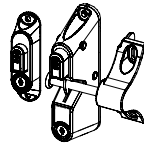
Gravity Latch



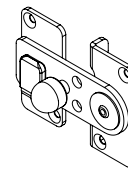
Heavy-Duty Gate Latch



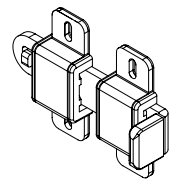
Locking Gravity Latch with 1-sided Key Entry



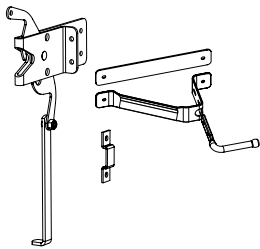
Locking Gravity Latch with 2-sided Key Entry/Push Button



Flip Latch



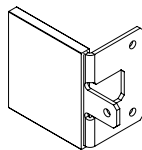
Slide Bar Latch



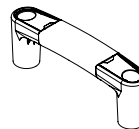
Standard Gate Latch



Gate Handle



Gate Stop



EZ Grip Gate Handle



Touch-Up Paint

NOTE: All aluminum material gates come standard with color matched aluminum self-closing hinges. Gate hardware and extras can be used for all series fences.

ALUMINUM POSTS

Description:	Black	
	QTY	SKU
2" x 2" x 82" Line Post (30" Deep — 4' Pt)		73012665
2" x 2" x 82" Corner Post (30" Deep — 4' Pt)		73012656
2" x 2" x 82" End Post (30" Deep — 4' Pt)		73012659
2" x 2" x 82" Gate Post (30" Deep — 4' Pt)		73012662
2" x 2" x 82" Line (30" Deep — 4' Ft/Fta)		73012664
2" x 2" x 82" Corner (30" Deep — 4' Ft/Fta)		73012655
2" x 2" x 82" End (30" Deep — 4' Ft/Fta)		73012658
2" x 2" x 82" Gate (30" Deep — 4' Ft/Fta)		73012661
2" x 2" x 82" Line (30" Deep — 4' Ft/Fta DR)		73041300
2" x 2" x 82" Corner (30" Deep — 4' Ft/Fta DR)		73041301
2" x 2" x 82" End (30" Deep — 4' Ft/Fta DR)		73041302
2" x 2" x 82" Gate (30" Deep — 4' Ft/Fta DR)		73041304
2" x 2" x 82" Line (30" Deep — 4' 2 Rail)		73012663
2" x 2" x 82" Corner (30" Deep — 4' 2 Rail)		73012654
2" x 2" x 82" End (30" Deep — 4' 2 Rail)		73012657
2" x 2" x 82" Gate (30" Deep — 4' 2 Rail)		73012660
2" x 2" x 88" Line (30" Deep — 54" Ft/Fta)		73012669
2" x 2" x 88" Corner (30" Deep — 54" Ft/Fta)		73012666
2" x 2" x 88" End (30" Deep — 54" Ft/Fta)		73012667
2" x 2" x 88" Gate (30" Deep — 54" Ft/Fta)		73012668
2" x 2" x 106" Line (42" Deep — 5' Pt)		73012653
2" x 2" x 106" Corner (42" Deep — 5' Pt)		73012647
2" x 2" x 106" End (42" Deep — 5' Pt)		73012649
2" x 2" x 106" Gate (42" Deep — 5' Pt)		73012651
2" x 2" x 106" Line (42" Deep — 5' Ft/Fta)		73012652
2" x 2" x 106" Corner (42" Deep — 5' Ft/Fta)		73012646

Shaded SKUs = QuickShip.

Description:	Black	
	QTY	SKU
2" x 2" x 106" End (42" Deep — 5' Ft/Fta)		73012648
2" x 2" x 106" Gate (42" Deep — 5' Ft/Fta)		73012650
2½" x 2½" x 82" Line Post (30" Deep — 4' Pt)		73020581
2½" x 2½" x 82" Corner Post (30" Deep — 4' Pt)		73020582
2½" x 2½" x 82" End Post (30" Deep — 4' Pt)		73020583
2½" x 2½" x 82" Gate Post (30" Deep — 4' Pt)		73020593
2½" x 2½" x 82" Line (30" Deep — 4' Ft/Fta)		73020584
2½" x 2½" x 82" Corner (30" Deep — 4' Ft/Fta)		73020585
2½" x 2½" x 82" End (30" Deep — 4' Ft/Fta)		73020586
2½" x 2½" x 82" Gate (30" Deep — 4' Ft/Fta)		73020594
2½" x 2½" x 82" Line (30" Deep — 4' 2 Rail)		73020587
2½" x 2½" x 82" Corner (30" Deep — 4' 2 Rail)		73020588
2½" x 2½" x 82" End (30" Deep — 4' 2 Rail)		73020589
2½" x 2½" x 82" Gate (30" Deep — 4' 2 Rail)		73020595
2½" x 2½" x 88" Line (30" Deep — 54" Ft/Fta)		73020590
2½" x 2½" x 88" Corner (30" Deep — 54" Ft/Fta)		73020591
2½" x 2½" x 88" End (30" Deep — 54" Ft/Fta)		73020592
2½" x 2½" x 88" Gate (30" Deep — 54" Ft/Fta)		73020602
2½" x 2½" x 106" Line (42" Deep — 5' Pt)		73020596
2½" x 2½" x 106" Corner (42" Deep — 5' Pt)		73020597
2½" x 2½" x 106" End (42" Deep — 5' Pt)		73020598
2½" x 2½" x 106" Gate (42" Deep — 5' Pt)		73020603
2½" x 2½" x 106" Line (42" Deep — 5' Ft/Fta)		73020599
2½" x 2½" x 106" Corner (42" Deep — 5' Ft/Fta)		73020600
2½" x 2½" x 106" End (42" Deep — 5' Ft/Fta)		73020601
2½" x 2½" x 106" Gate (42" Deep — 5' Ft/Fta)		73020604

CUSTOM GATES

CUSTOM GATE PROGRAM

- Common construction to existing walk or drive gates.
- Included in custom gates are racked gates (straight only).

PRICING/ORDER PROCESS

- 1) Determine gate style (including Flat, Arched, Single Arched, or Estate Arched), Height, Width, Series (Home/Haven/Harbor), and Color.
- 2) Determine custom gate price (custom gates include pre-paid freight).
 - Using the ActiveYards Dealer Catalog find the next gate size wider than the custom gate size needed.

Example: For a 4' x 3½' wide custom Marble Home Series gate in Pewter, locate the 4' x 4' wide Marble Home Series Pewter gate price — this is the product price.

- 3) Add a \$75 set-up charge per custom gate width.

Example: Two 4' x 3½' custom gates require one \$75 set-up charge. Two 4' x 3½' custom gates plus two 4' x 55" custom gates require two \$75 set-up charges.

- 4) Send order details to ActiveYards Customer Service using the Custom Gate Order Form on page 54. Order must include: Style (including Flat, Arched, Single Arch or Estate Arch), Height, Width, Series, and Color.
- 5) Custom gate drawing is prepared by ActiveYards and sent to dealer for signed approval/confirmation.
- 6) Upon receipt of approved drawing from dealer, the order is released to production.

LARGER ALUMINUM FENCE POSTS

- Larger 3" x 3", 4" x 4" and 6" x 6" Heavy-Duty Blank Posts are necessary to use during installation of wider gates.

CONSTRUCTION

- 3" x 3" posts wall thickness = 0.125"
 - 4" x 4" posts wall thickness = 0.125"
 - 6" x 6" posts wall thickness = 0.125"
- 1) All larger posts are blank posts.
 - 2) All posts are available in 58", 70", 82", 88", and 106" lengths to accommodate 3', 4', 4½', 5', and 6' tall gates.

SHIPPING/PRICING

- Larger posts will ship within a 21 day lead time from order confirmation.
- Ordering information and pricing listed with panels and gates throughout catalog.

DRIVE GATES AND WALK GATES

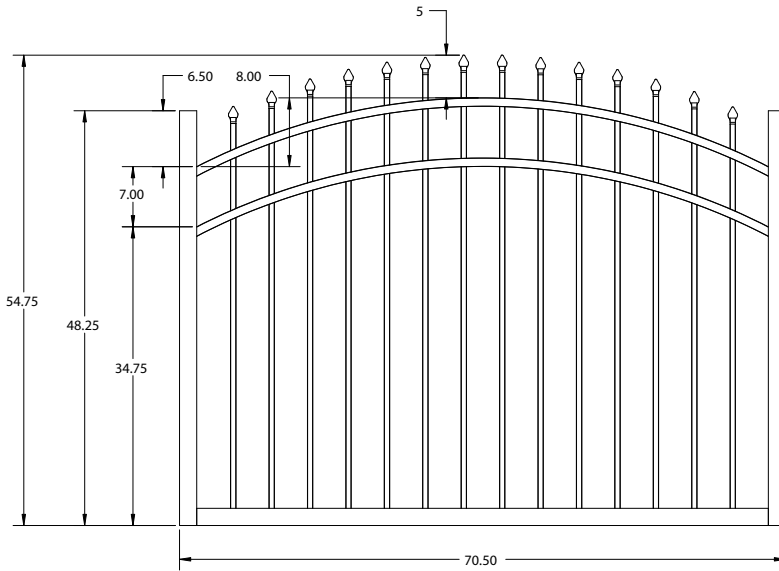
Available Construction

- 1) **Home Series:** 6', 8' and 10' wide double drive gates are constructed using common materials as current ActiveYards gates – 1" x 1" rails, ¾" x ¾" pickets and 1½" x 1½" gate uprights. These gates come with our standard self-closing color match hinges and post caps for uprights.
- 2) **Home Series:** 6' wide walk gates to 12' wide double drive gates are constructed using common rails and pickets but with heavier duty framing – 1" x 1" rails, ¾" x ¾" pickets and 2" x 2" "U" framing (2" x 2" posts are welded on 3 sides of the gate – left, right and bottom). These gates come with color match hinges and post caps for uprights.
- 3) **Haven Series:** 6', 8' and 10' wide double drive gates are constructed using common materials as our current ActiveYards gates – 1⅜" x 1½" rails, ¾" x ¾" pickets and 1½" x 1½" gate uprights. These gates come with our standard self-closing color match hinges and post caps for uprights.
- 4) **Haven Series:** 6', 7' and 8' wide walk gates and 12', 14', and 16' wide double drive gates are constructed using common rails and pickets but with heavier duty framing – 1⅜" x 1½" rails, ¾" x ¾" pickets and 2" x 2" "U" framing (2" x 2" posts are welded on 3 sides of the gate – left, right and bottom). These gates come with our color match hinges and post caps for uprights.
- 5) **Harbor Series:** 6', 8' and 10' wide double drive gates are constructed using common materials as current ActiveYards gates – 1" x 1" rails, ⅝" x ⅝" pickets and 1½" x 1½" gate uprights. These gates come with our standard self-closing color match hinges and post caps for uprights.
- 6) **Harbor Series:** 6' wide walk gates to 12' wide double drive gates are constructed using common rails and pickets but with heavier duty framing – 1" x 1" rails, ⅝" x ⅝" pickets and 2" x 2" "U" framing (2" x 2" posts are welded on 3 sides of the gate – left, right and bottom). These gates come with color match hinges and post caps for uprights.
- 7) **Gate Widths:**
 - Bedrock 2 Rail Home and Haven – Largest single leaf gate is 5' wide. Largest double drive gate is 10' wide.
 - Home – Largest single leaf gate is 6' wide. Largest double drive gate is 12' wide.
 - Haven – Largest single leaf gate is 8' wide. Largest double drive gate is 16' wide.

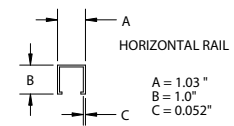
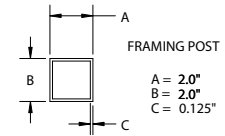
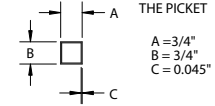
GATE SOLUTIONS

EXAMPLE:

Home Series 6' Arched Walk Gate

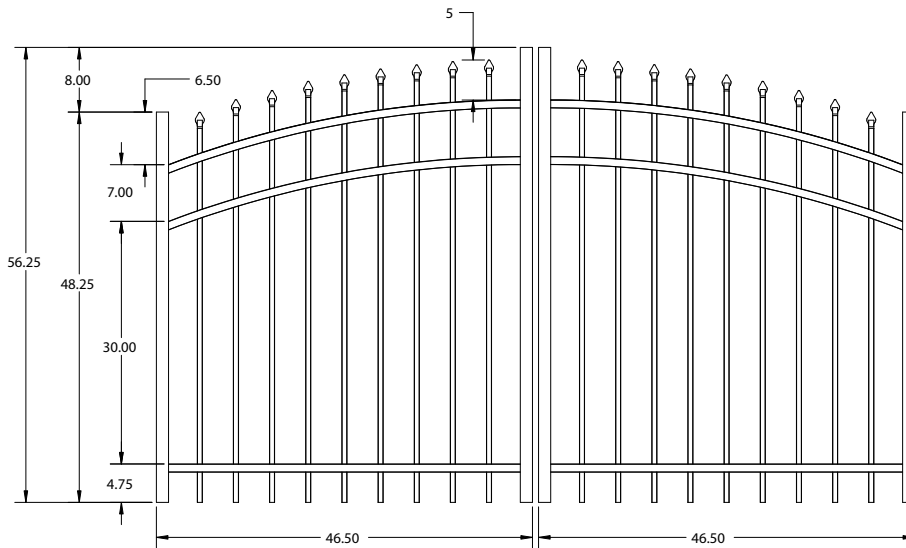


CONSTRUCTION MATERIALS

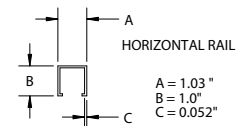
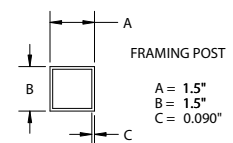
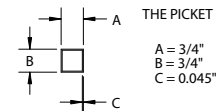


EXAMPLE:

Home Series 8' Double Drive Single Arch Gate



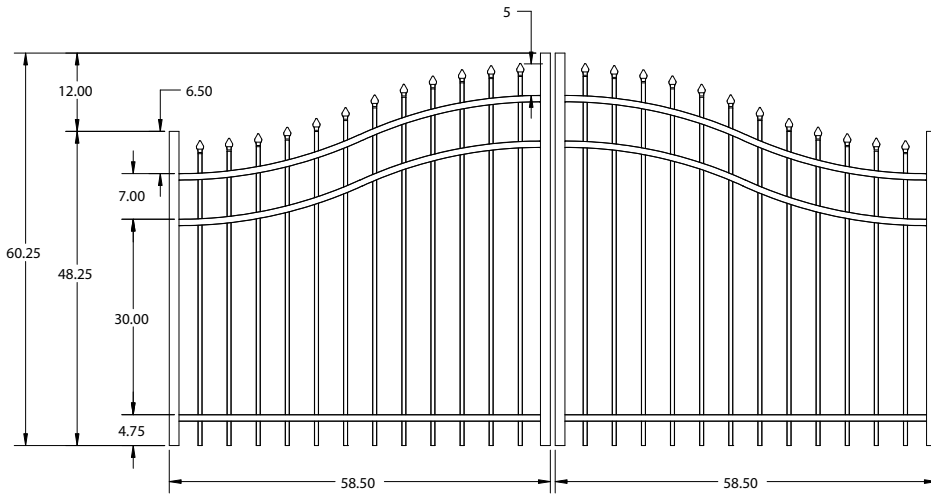
CONSTRUCTION MATERIALS



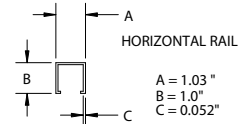
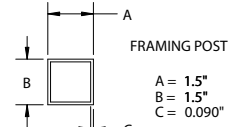
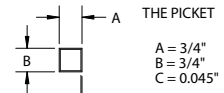
GATE SOLUTIONS

EXAMPLE:

Home Series 10' Double Drive Estate Arch Gate

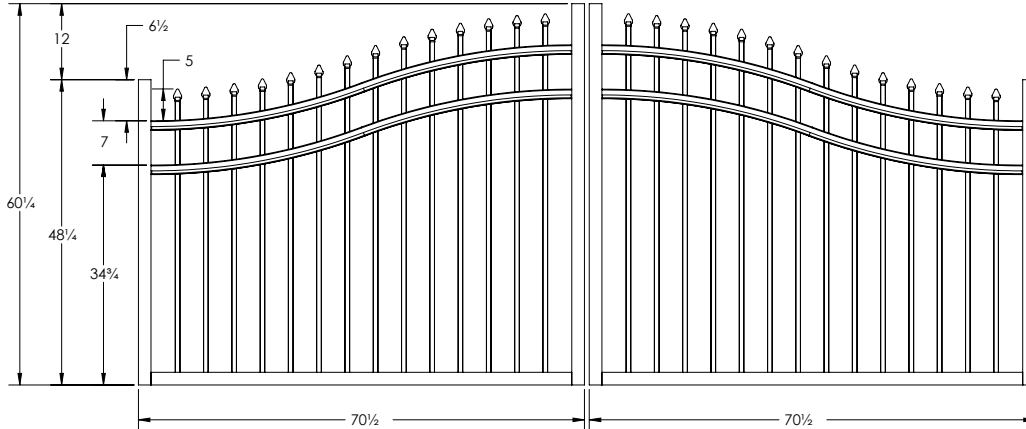


CONSTRUCTION MATERIALS

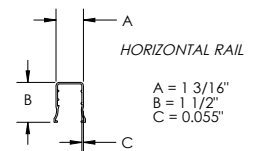
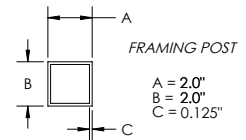
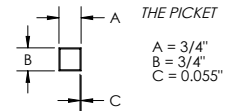


EXAMPLE:

Haven Series 12' Double Drive Estate Arch Gate



CONSTRUCTION MATERIALS



SHIPPING/PRICING

- All drive gates will ship within a 21 day lead time from order confirmation
- Ordering information and pricing listed with corresponding aluminum fence panels throughout catalog

CUSTOM GATE ORDER FORM

Customer: _____ Date: _____
 Ship to: _____ Phone: _____
 _____ Fax: _____
 Contact Person: _____ PO/Job: _____

DESCRIPTION	CUSTOM SINGLE GATES	CUSTOM DOUBLE GATES
Number of Gates	_____ (Of the Same Gate)	2 (Double Gate Only)
Gate Style Name		
Flat/Arch Design Please Check One	<input type="checkbox"/> Flat <input type="checkbox"/> Arched	<input type="checkbox"/> Single Arch <input type="checkbox"/> Estate Arch <input type="checkbox"/> Flat
Height This is not a measurement of top of arch on arched gates. No custom heights.	_____ "	_____ "
Actual Gate Width Per Gate	_____ "	_____ "
Opening Width Allow 1.5" for Gate Hardware	_____ "	_____ "
Series Please Check One	<input type="checkbox"/> Haven <input type="checkbox"/> Home <input type="checkbox"/> Harbor	<input type="checkbox"/> Haven <input type="checkbox"/> Home <input type="checkbox"/> Harbor
Color Please Check One	<input type="checkbox"/> Black <input type="checkbox"/> Matte Black <input type="checkbox"/> Pewter <input type="checkbox"/> White	<input type="checkbox"/> Black <input type="checkbox"/> Matte Black <input type="checkbox"/> Pewter <input type="checkbox"/> White
Racked in Inches	_____ "	_____ "
Outside Looking In Right to Left or Left to Right	Racked _____	_____

TERMS OF SALE:

1. All custom gate orders are final once confirmed.
2. All custom gate lead times are approximately 21 calendar days from order confirmation.

Please email your order to your ActiveYards Customer Service Representative.



FENCING USER GUIDE & TERMS

POOL CODE APPROVED

Certain styles and heights of ActiveYards Aluminum Fencing are pool code approved at the national level (as indicated with icon throughout catalog). Please note that codes not only vary by state, but also by locality. Be sure to check your local pool code requirements before ordering.

National Fence Panel Specifications:

- Fence panel must be at least 48" tall.
- Distance from the top of the bottom rail to the top of the next highest rail must be at least 45".
- Spacing between pickets must be less than 4".
- Space from the bottom of the bottom rail to the ground must be less than 4".

National Gate Specifications:

- Must have self-closing hinges.
- Must have self-closing latches.
- Need to open out (away from pool area)
- Opening mechanism of the latch must be at least 54" above the ground.
- Must not use a cross brace on gates.

ORDERING

- Please consider using the pages directly from this catalog for ordering purposes. ActiveYards Customer Service will respond with a confirmation to verify the order and request a final signature.

ORDER PROCESS

- All orders must be submitted in writing. We ask that you use one of the available ActiveYards forms. If not using one of the available forms, orders must contain material numbers as well as descriptions. Any orders placed without the requested information will be sent back to the Dealer to resend. Please send orders via fax to 440-239-2607 or email to your customer service representative. Orders will not be taken over the phone.
- Upon receipt of an order, a confirmation will be sent back to you via fax or e-mail, either the same or following business day.
- Order will be released and lead time will begin upon your receipt of the order confirmation and credit approval. Any changes to an existing order will reset the lead time for that order. Please note that this will not apply to custom aluminum gate orders. You will need to review and sign both the order confirmation and the gate drawing and return it to your customer service representative.
- Dealer is responsible for the content and accuracy of all order confirmations including product, pricing, payment terms, expected ship date, etc.
- To check order status please provide ActiveYards order number, purchase order, or customer account number to your customer service representative.
- Orders are shipped prepaid, unless otherwise agreed in writing.

PAYMENT METHODS & CREDIT

Sales Tax

ActiveYards will charge state sales tax to all customers unless a current resale certificate is on file. ActiveYards will require a certificate for each state in which Dealer does business.

CREDIT LINE ESTABLISHMENT AND STANDARD PAYMENT TERMS

- a) In order to purchase ActiveYards material all Dealers must complete an ActiveYards credit application. Upon ActiveYards approval, a line of credit and standard terms will be established.
- b) At ActiveYards' discretion, existing credit lines will be reviewed periodically, which may involve completing additional credit application forms and/or submitting updated financials.
- c) ActiveYards reserves the right, at its sole discretion, to suspend or terminate credit.

OTHER FORMS OF PAYMENT

Pay in Advance

Payment must be received before order processing can begin.

- a) Bank (Cashiers) Check (Made Payable to ActiveYards)
- b) Company Check – If no prior arrangement has been made with ActiveYards to establish credit and Dealer chooses to pay by company check, the check must be received by ActiveYards and clear the bank (usually 3 to 5 business days) before order processing and lead time can begin.
- c) Electronic Wire Transfer
- d) Personal Check – Check must be received and clear the bank (usually 3 to 5 business days) before order processing can begin.
- e) Credit Card – all orders are subject to a 3.5% administration fee.

PAYMENT REMITTANCE

Please contact ActiveYards Customer Service at 1-888-549-7350.

TERMS

- Payment terms will be stated on each order confirmation and invoice.
- ActiveYards reserves the right to withdraw or change amount of credit, require partial or full payment in advance and to change the terms of payment with respect to future orders.
- The calculations for discount are predicated on the date the customer's payment is received by ActiveYards.

- Unauthorized deductions are not allowed. A “delinquency charge” will be assessed on any past due amounts owed to ActiveYards, from the net due date. The delinquency charge will be calculated at prime lending rate + 2% per annum on the past due amounts until paid.

LEAD TIMES

Subject to plant shutdowns, truck availability and holidays.

If your scheduled ship date falls on a non-business day, it will be moved forward to the next business day.

CHANGES OR CANCELLATIONS OF ORDERS

- Orders may only be revised or canceled by the Dealer in writing and under the following circumstances, contact your customer service representative for order status.
- Lineal Orders cannot be changed or canceled once load is staged.
- ‘QuickShip’ Job Lot Orders cannot be changed or canceled upon receipt of order confirmation.
- ‘Make to Order’ Job Lot Orders can only be changed or canceled up until the time the order enters production.

Contact your customer service representative for order status.

Note: Any changes to an existing order will reset the lead time for that order.

SHIPPING & HANDLING

Aluminum Fence Pallet/Package Details

- Protective plastic clips are attached to each ActiveYards aluminum panel to protect against rubbing and scratching during transit and while in storage.
- ActiveYards uses a high quality, four-way access pallet with oversized deck boards to protect shipments from forklift damage.
- Unbroken Full Units can be stacked.
- All gates are individually packaged.

FREIGHT

- Orders below \$2,000.00 could be charged freight.
- Orders can be expedited at the customers’ expense.
- For full truckload orders only, Dealers have the option of arranging their own transportation – if you would prefer this; please make sure your customer service representative knows when placing your order.
- Once the order confirmation is signed and returned to ActiveYards no changes can be made by Dealer in regards to freight.

DAMAGE/SHORTAGE CLAIMS

- Upon receiving order, Dealer is responsible for accurately counting and signing the Delivery Receipt for number of boxes and pallets received and specific condition in which order was received. Dealer must sign Delivery Receipt, if there are any signs of rips, tears, or breakage to the wrapping, packages or pallets.
- If paperwork is not signed for properly, and damages are found at a later date, the Dealer may be charged for replacement as ActiveYards can only file a claim if signed as possible damages.
- All shipments delivered to Dealer from ActiveYards shall be deemed to have been received by Dealer in good condition unless Dealer notes on Delivery Receipt and advises their ActiveYards customer service representative otherwise as soon as possible.
- Dealer is liable for any loss of or damage to goods accepted by Dealer or its representatives except for loss or damage mentioned on the Delivery Receipt, upon receiving.
- In the event a shortage or damage is found, a replacement order will be expedited or credited at ActiveYards’ discretion.

EXPEDITE POLICY

- Orders can be expedited at the request and expense of the Dealer.
- Replacement orders for damages or shortages will be expedited at the expense of ActiveYards.

RETURN POLICY

Returns will only be considered at no charge to the Dealer if there is an issue related to the material concerning its condition thereby defined as defective or incorrect material. Authorized returns will only be made under the following circumstances:

- ActiveYards delivered defective material or
- ActiveYards delivered wrong material.

In the event that defective or wrong material was shipped to the customer, the customer can return material to ActiveYards under the following process:

- The customer must contact their customer service representative to obtain a Return Goods Authorization (RGA) number within 30 days of receipt of shipment. This number must be included on all paperwork, boxes, and pallets.
- ActiveYards will pay return shipping costs. ActiveYards reserves the right and will assign the freight carrier of their choice. All returned materials must arrive at the point of return designated by ActiveYards. If a freight carrier is used other than those specified by ActiveYards or the shipment is returned to an undesignated location, the customer will be charged and shall accept to pay any additional freight charges incurred by ActiveYards.
- Product must be returned in original condition as received. The customer acknowledges that ActiveYards reserves the right and will inspect all returned items to ensure product is in its original condition prior to approving or issuing any credit.
- A 25% restocking fee and return freight fee will be charged back to the customer for items that are returned due to customer order error.

INSTALLATION

Please see full installation instructions available in product packaging.

CARE AND MAINTENANCE

Aluminum Fence Cleaning

- Most basic stains can be cleaned using a simple degreaser, such as Simple Green®, and should be rinsed after applying.
- For hard water stains, CLR® can be used and should be rinsed after applying.

PAINTING TOUCH-UP

- Touch-up paint that matches original paint finish

is available for minor scratches and dings.

- Contact ActiveYards Customer Service to order touch-up paint. Paint cannot be shipped via air — allow 5-7 days for ground shipment.

Picket Replacement

Due to the way our aluminum fence panels are constructed, individual pickets cannot be easily removed. As such, ActiveYards recommends replacement of the entire panel.

HOW DO I CLEAN MY ALUMINUM FENCE?

- On occasion you may want to spray your fence with a garden hose. This will remove grass clippings, dirt and fertilizer chemicals and keep it looking as new as possible.
- For light cleaning, rinse with water from bottom to top and back to bottom. This will clean the surface on the way up and prevent the collection of dirty “run down” and possible streaking. Air dry or wipe with a soft, lint free cloth.
- For more soiled areas, rinse the surface with clean water from the top to bottom. Use a sponge and clean with mild dish soap and water. Immediately rinse any “run down” to lower parts of the fence. Do not allow dish soap to collect or “puddle” on surfaces. Immediately rinse entire section with clean water. It is very important the dish soap does not dry on the surface. Air or wipe dry with a soft, lint free cloth. For stubborn, water-soluble debris, repeat steps above until clean.
- In coastal areas, it is recommended that you frequently spray your fence with water to reduce accumulations of salt and dirt.

MAINTENANCE TIPS

To maximize the life of your fence address these areas:

- Adjust the gate — As a reminder, gate adjustments and leveling are normal care and maintenance items that the homeowner is responsible for.
- Oil the gate hinges and tighten the screws once a year.
- Do not let the gate swing in the wind. Keep it secured.
- Deter children from swinging on the gate.
- Re-compress and realign loose posts.
- Do not stack or mount any objects or material near your fence.

TRANSFERABLE LIMITED LIFETIME WARRANTY

ALUMINUM FENCE

Who is covered:

- The limited lifetime warranty covers single-family residential properties only. This limited warranty extends to the original purchaser and one (1) individual transferee as specified herein.
- A thirty (30) year limited warranty covers any other type of building or property including those owned by corporations, governmental agencies, partnerships, trusts, religious organizations, schools, condominiums, homeowner associations, cooperative housing arrangements and apartment buildings. The warranty period will be thirty (30) years following the original date of Product purchase.

What is covered: Barrette Outdoor Living warrants that its vinyl fencing products ("Product") will be free from defects in material and workmanship for the warranty period. This limited warranty is valid beginning on the date of Product purchase.

Barrette Outdoor Living warrants the Product against peeling, flaking, rotting, chipping, cracking, blistering, or abnormal discoloration/fading* under normal atmosphere and weather conditions.

**After prolonged exposure to outdoor environments, all products will experience some gradual fading over time and is considered normal (up to a standard variation determined by Delta E color measurement, not to exceed Delta 5). Degrees of fading vary depending on geographical location, air pollution, exposure and other factors.*

What this warranty does not cover: This limited warranty will not cover a change in color due to a buildup of accumulation of stains, dirt, mold, mildew or any other deficiency caused by lack of any maintenance by the owner. This limited warranty does not cover damage resulting from: misuse, abuse, improper storage or handling, improper installation, other vinyl products and accessories not manufactured by Barrette Outdoor Living, or manufactured for specific use in vinyl fence applications; damage caused by events beyond human control including but not limited to damage caused by animals or natural events; impact of foreign objects, fire, earthquake, flood, lightning, hail, hurricane, tornado or other casualty or act of God; movements, distortion, collapse or settling of ground or structure on which the fence is installed; distortion or melting due to external heat sources; fence that has been painted, varnished, or coated over manufacturer's finish. This limited warranty does not cover costs of removal or disposal of product, or reinstallation of replacement product.

What Barrette Outdoor Living does to remedy the problem: Should your Barrette Outdoor Living product prove defective under warranty, visit the website or call the phone number listed below. Barrette Outdoor Living requires written notice or phone call within thirty (30) days of discovering the defect and you must show original proof of purchase receipt. You will be required to provide to Barrette Outdoor Living pictures and/or samples of the defective Product. If it is determined by Barrette Outdoor Living, in its sole discretion, the Product has a manufacturer defect in material or workmanship, Barrette Outdoor Living will replace with new or equivalent products; labor is not included in warranty. If the Product is discontinued, Barrette Outdoor Living will repair or replace the Product with a product in comparable quality or price range.

Barrette Outdoor Living reserves the right to discontinue or modify any of its products, including the color of its products without notice to the purchaser. Barrette Outdoor Living does not warrant that any replacement material will match or be identical to the original Product as replacement products may vary in color or gloss in comparison to the original Product as a result of normal weathering.

Transferee coverage: Limited lifetime warranty coverage will be extended to one (1) transferee with the following limitations: the one (1) transfer shall only be from residential homeowner (original Product purchaser) to a second homeowner. After a transfer, the warranty is valid thirty (30) years from the date of the original purchase.

The thirty (30) year limited warranty for commercial installations cannot be transferred.

Registration: To activate this warranty, fill out the product registration form on the website listed below, or mail a completed registration card to Barrette Outdoor Living. Registration of Product must be within thirty (30) days from date of Product purchase for warranty to be valid.

Except as expressly set forth in this warranty, Barrette Outdoor Living HEREBY EXPRESSLY DISCLAIMS ANY REPRESENTATION, WARRANTY, PROMISE, GUARANTEE OR OTHER ASSURANCE OF ANY KIND, EXPRESS OR IMPLIED, ORAL OR WRITTEN, STATUTORY OR OTHERWISE, RELATING TO THE PRODUCT. STATE LAW WILL DETERMINE THE PERIOD OF TIME FOLLOWING THE SALE THAT YOU MAY SEEK A REMEDY UNDER THE IMPLIED WARRANTY OF MERCHANTABILITY OR FITNESS FOR A PARTICULAR PURPOSE.

NO DISTRIBUTOR, Dealer OR OTHER PERSON IS AUTHORIZED BY BARRETTE OUTDOOR LIVING TO CHANGE THIS WARRANTY OR TO MAKE ANY ADDITIONAL REPRESENTATION, WARRANTY, PROMISE, GUARANTEE OR OTHER ASSURANCE ON BEHALF OF BARRETTE OUTDOOR LIVING RELATING TO THE PRODUCT. THIS WARRANTY GIVES YOU SPECIFIC LEGAL RIGHTS, AND YOU MAY ALSO HAVE OTHER RIGHTS WHICH VARY STATE TO STATE.

LIMITATION OF LIABILITY: THE REMEDIES DESCRIBED ABOVE ARE YOUR SOLE AND EXCLUSIVE REMEDIES AND BARRETTE OUTDOOR LIVING'S ENTIRE LIABILITY FOR ANY BREACH OF THIS LIMITED WARRANTY. BARRETTE OUTDOOR LIVING'S LIABILITY SHALL UNDER NO CIRCUMSTANCES EXCEED THE ACTUAL AMOUNT PAID BY YOU FOR THE DEFECTIVE PRODUCT, NOR SHALL BARRETTE OUTDOOR LIVING BE LIABLE FOR ANY CONSEQUENTIAL, INCIDENTAL, SPECIAL OR PUNITIVE DAMAGES OR LOSSES, WHETHER DIRECT OR INDIRECT. SOME STATES DO NOT ALLOW THE EXCLUSION OR LIMITATION OF INCIDENTAL OR CONSEQUENTIAL DAMAGES, SO THE ABOVE LIMITATION OR EXCLUSION MAY NOT APPLY TO YOU. THIS WARRANTY IS VALID ONLY IN THE UNITED STATES AND CANADA.

This warranty is effective for products purchased after January 1, 2017.

This warranty can also be found online at barretteoutdoorliving.com

To register your product, visit barretteoutdoorliving.com

In case of a warranty claim, call 1-800-336-2383

ActiveYards[®]

FENCING FOR YOUR LIFE[™]

545 TILTON ROAD • EGG HARBOR CITY • NEW JERSEY, 08215
ACTIVEYARDS.COM